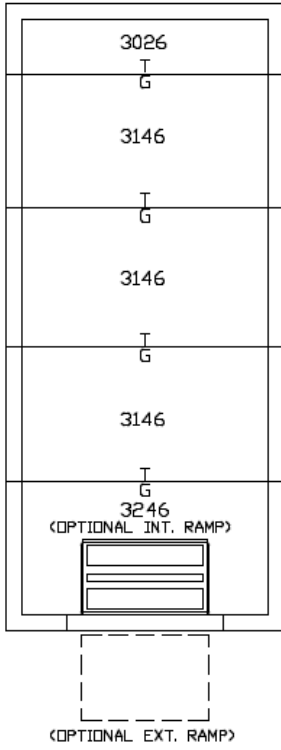
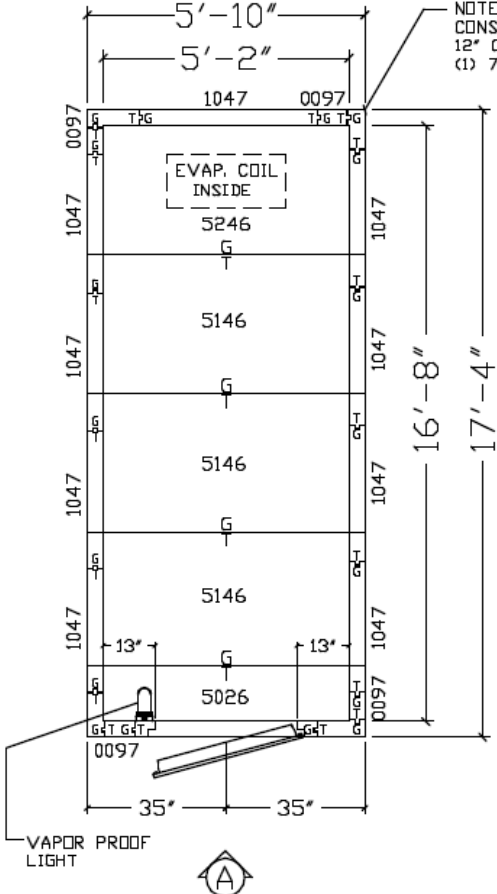


NOTE: CORNERS CONSISTS OF (1) 12" CORNER AND (1) 7.5" FILLER



FLOOR OPTIONS:

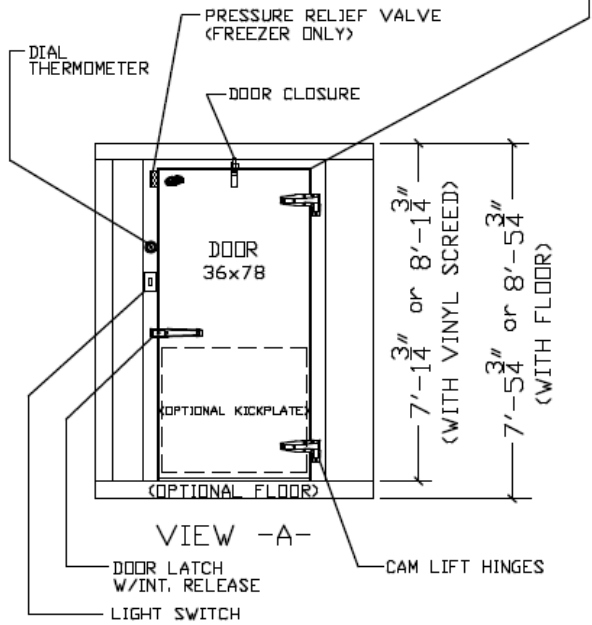
COOLER or FREEZER

115/60/1, 1.0 AMPS FOR LIGHT ONLY  
 115/60/1, 2.2 AMPS FOR LIGHT & HEAT WIRE  
 ADDITIONAL AMP DRAWS FOR REFRIGERATION



ASTM E-84 APPROVED

DOOR SHOWN HINGED RIGHT. CUSTOMER TO CONFIRM R.H. OR L.H. HINGE... EXCEPT FOR INTERIOR RAMP APPLICATIONS, THE DOOR LOCATION CAN BE MOVED TO ANY PANELS MARKED #1047.



WARNING

ENGINEERED FOR ON-GRADE INSTALLATION. IF ANY PORTION OF THIS WALK-IN IS TO BE INSTALLED IN A DEPRESSION, \*CONTACT LEER WALK-IN SALES DEPARTMENT IMMEDIATELY 1-800-766-5337.

DATE	4-16-04
SCALE	N.T.S.
DWN BY	DWS
CHK'D BY	DWS



LEER WALK-IN DIVISION  
 NEW LISBON, WI.  
 PH. # 1-800-766-5337  
 FAX # 1-808-582-3166

5'-10" X 17'-4" (G-24) COOLER or FREEZER	DRAWING # STK618
---	---------------------