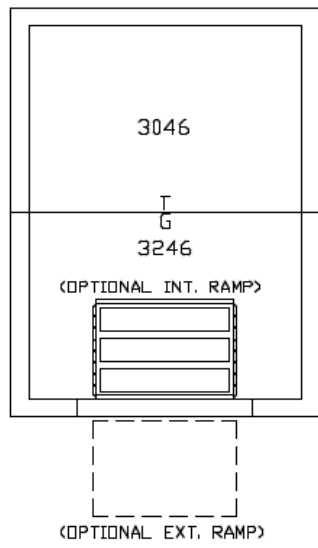
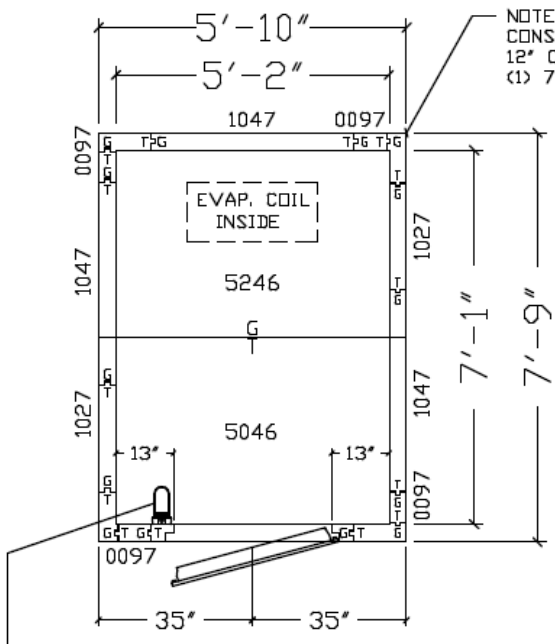


NOTE: CORNERS CONSISTS OF (1) 12" CORNER AND (1) 7.5" FILLER



FLOOR OPTIONS:



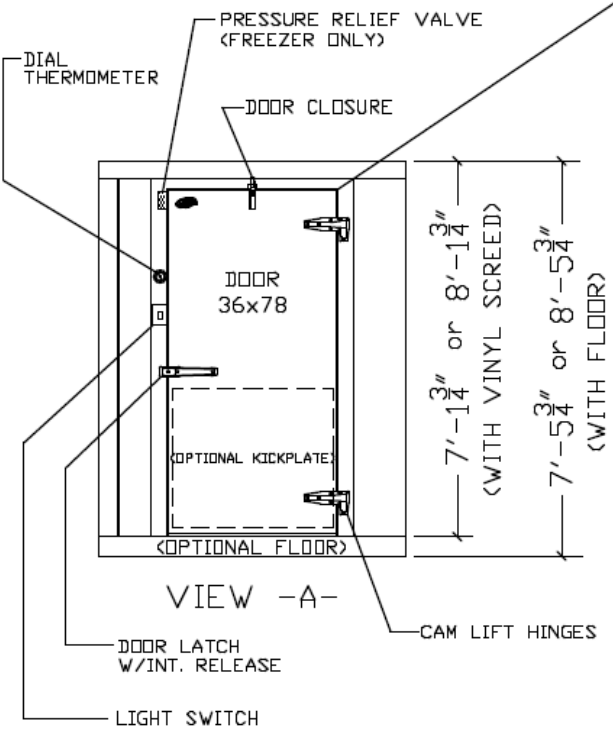
COOLER or FREEZER

115/60/1, 1.0 AMPS FOR LIGHT ONLY
 115/60/1, 2.2 AMPS FOR LIGHT & HEAT WIRE
 ADDITIONAL AMP DRAWS FOR REFRIGERATION

DOOR SHOWN HINGED RIGHT, CUSTOMER TO CONFIRM R.H. OR L.H. HINGE... EXCEPT FOR INTERIOR RAMP APPLICATIONS, THE DOOR LOCATION CAN BE MOVED TO ANY PANELS MARKED #1047.



ASTM E-84 APPROVED



WARNING

ENGINEERED FOR ON-GRADE INSTALLATION. IF ANY PORTION OF THIS WALK-IN IS TO BE INSTALLED IN A DEPRESSION, *CONTACT LEER WALK-IN SALES DEPARTMENT IMMEDIATELY 1-800-766-5337.

DATE	4-16-04
SCALE	N.T.S.
DWN BY	DWS
CHK'D BY	DWS



LEER WALK-IN DIVISION
 NEW LISBON, WI.
 PH. # 1-800-766-5337
 FAX # 1-808-582-3166

5'-10" X 7'-9" (G-24)
 COOLER or FREEZER

DRAWING #
 STK68