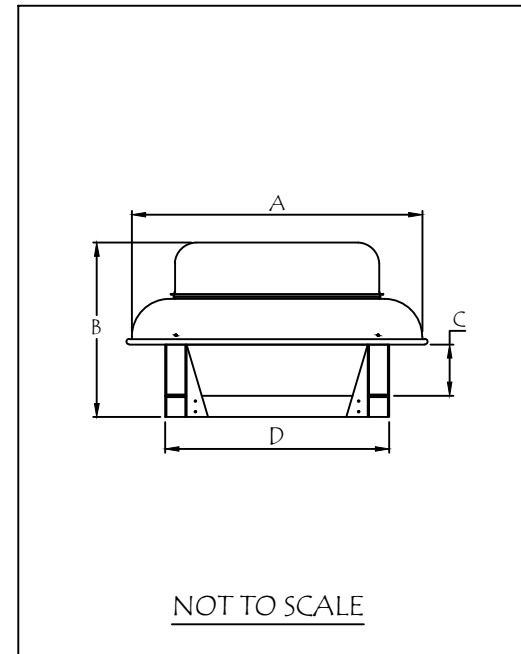


PLAN VIEW  
SCALE:  $\frac{3}{8}'' = 1' - 0''$

HOOD NO.	MODEL	LENGTH	MAX. COOKING TEMP.	① EXHAUST PLENUM					② SUPPLY PLENUM					HOOD CONSTRUCTION
				TOTAL EXH. CFM	RISER(S)				TOTAL SUP. CFM	RISER(S)				
DIA.	QTY.	CFM	S.P.		WIDTH	LENG.	QTY..	CFM		S.P.				
1	COND.	96" NOM 96" OD	700 Deg.	1600	12"	1	1600	0.5"	-	-	-	-	-	STAINLESS/ALUMINIZED

DUCT OPENING ARE  
RECOMMENDED  
SIZES  
OPENINGS TO BE PUT  
IN FIELD

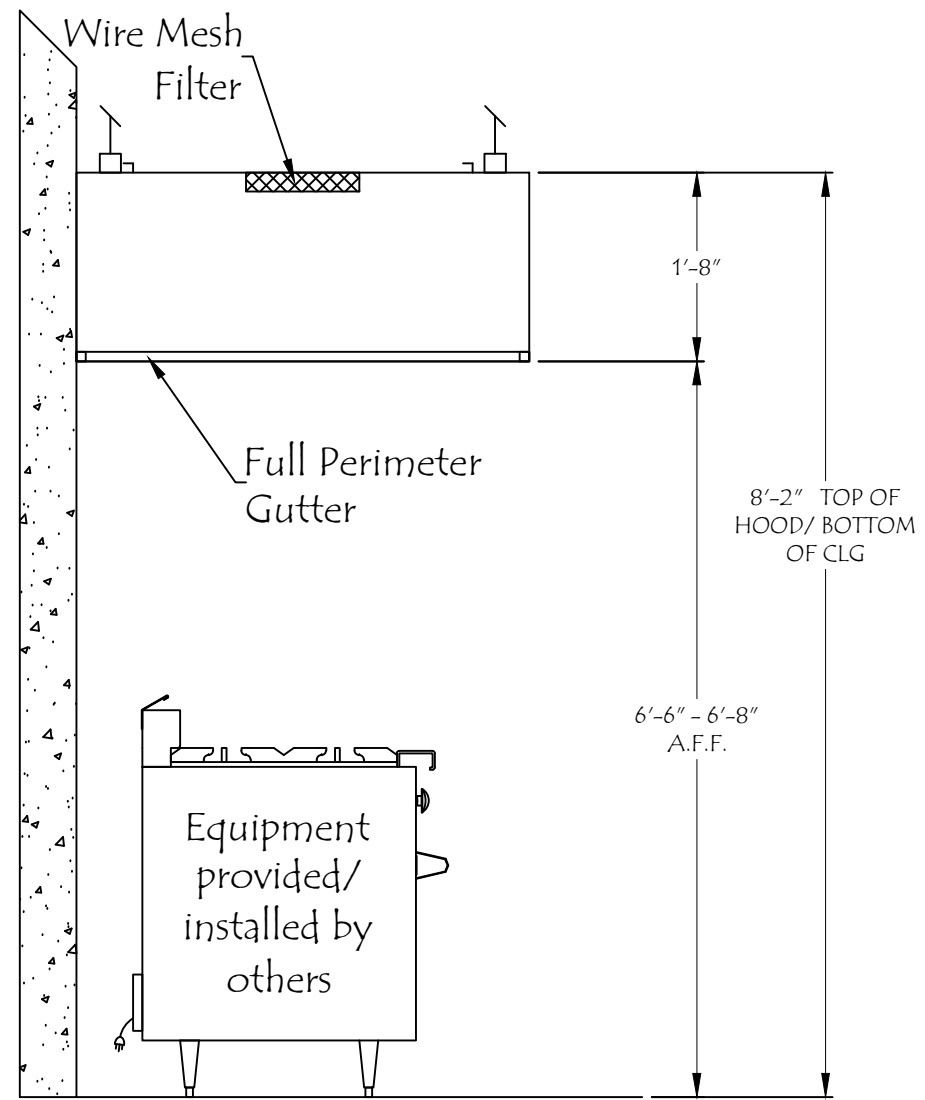




FAN MODEL	A	B	C	D	WT. LBS.
28D-DB	27 <sup>3</sup> / <sub>4</sub> "	16 <sup>3</sup> / <sub>8</sub> "	4 <sup>13</sup> / <sub>16</sub> "	21" SQ.	41 LBS.

FAN UNIT NO.	FAN UNIT MODEL#	① EXHAUST FAN								
		MODEL	TAG	CFM	S.P.	RPM	H.P.	Ø	VOLTS	FLA
1	28D-DB EF-1	28D-DB	EF-1	1600	0.25"	1725	1/2	1	115	-





SIDE VIEW - CONDENSATE

SCALE:  $\frac{3}{8}'' = 1' - 0''$



**ANSI/NSF2**

