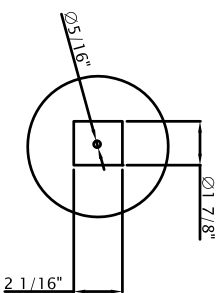
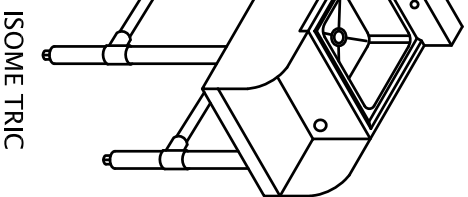
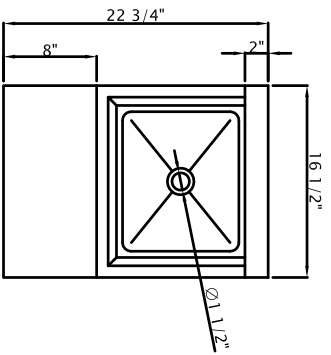
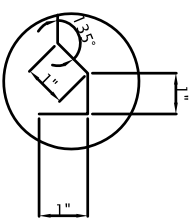


- 18 GA. 304 STAINLESS STEEL CONSTRUCTION.
- GALV. GUSSET AND GALV. LEG AND GALV. CROSS BRACES AND PLASTIC FEET



DRAWING FOR :	MAT. TOP: 18 GA. 304 S/S BASE :
REF. NO. :	REQ'D/ITEM :
ITEM NAME : Blender Station	DATE : Dec/ 02/ 2011
PROD. NO. : BS-1012	BY :
SCALE: 1/2" = 1'-0"	CHECKED BY :

DATE	REVISIONS

**KLINGER'S
TRADING**