



Mini HFD

- Self Serve Style
- Perfect for wrapped hot food items



HFD

- Full Serve Style
- Perfect for unwrapped hot food items



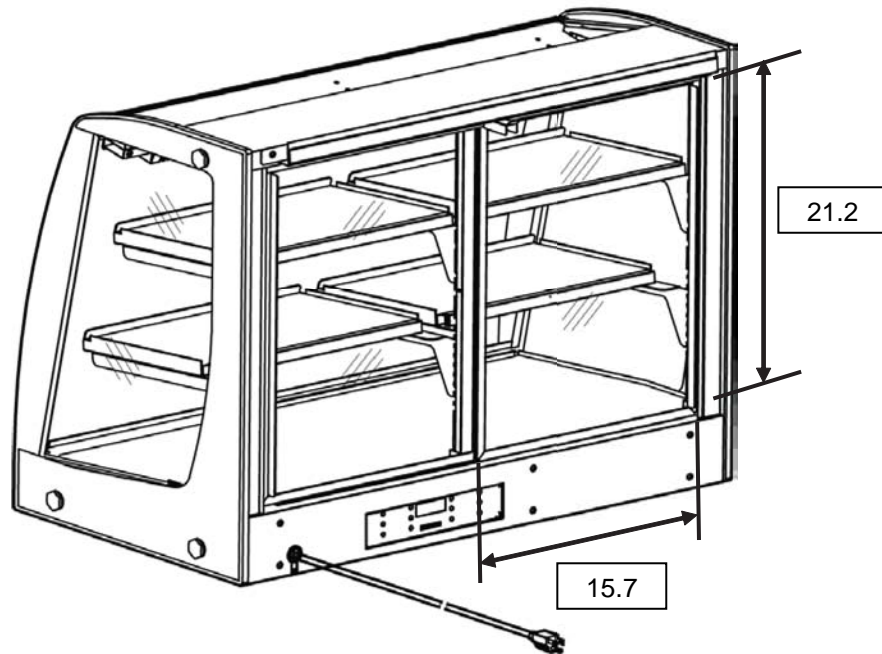
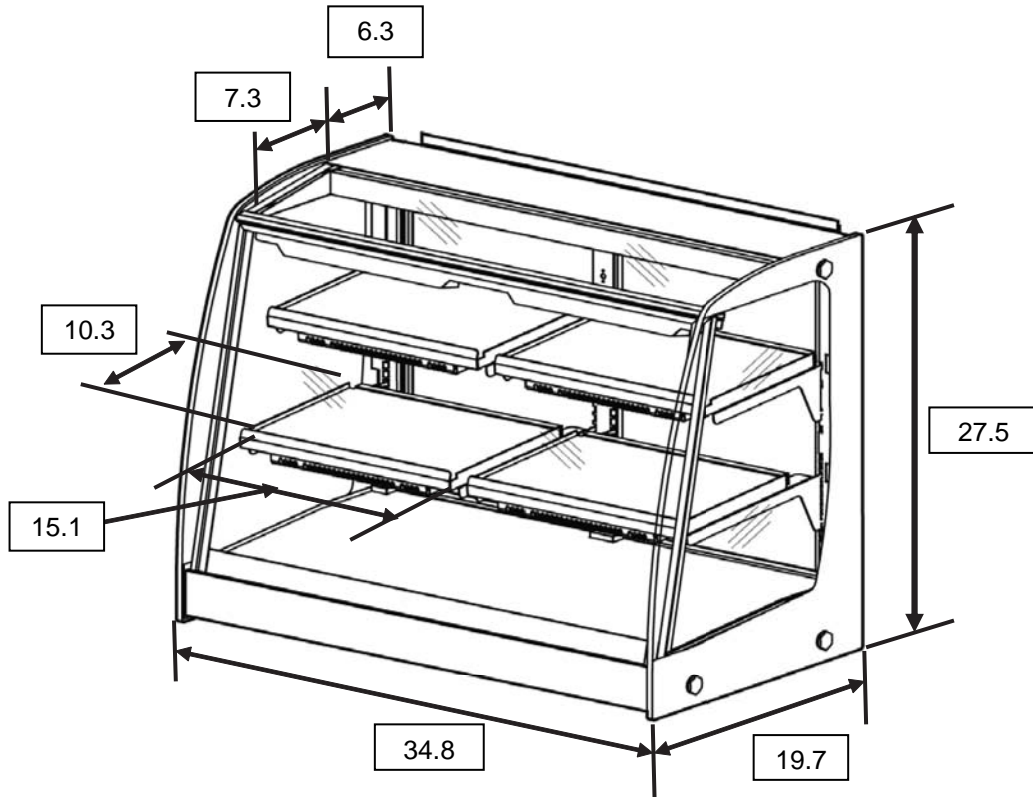
Combo Serve HFD

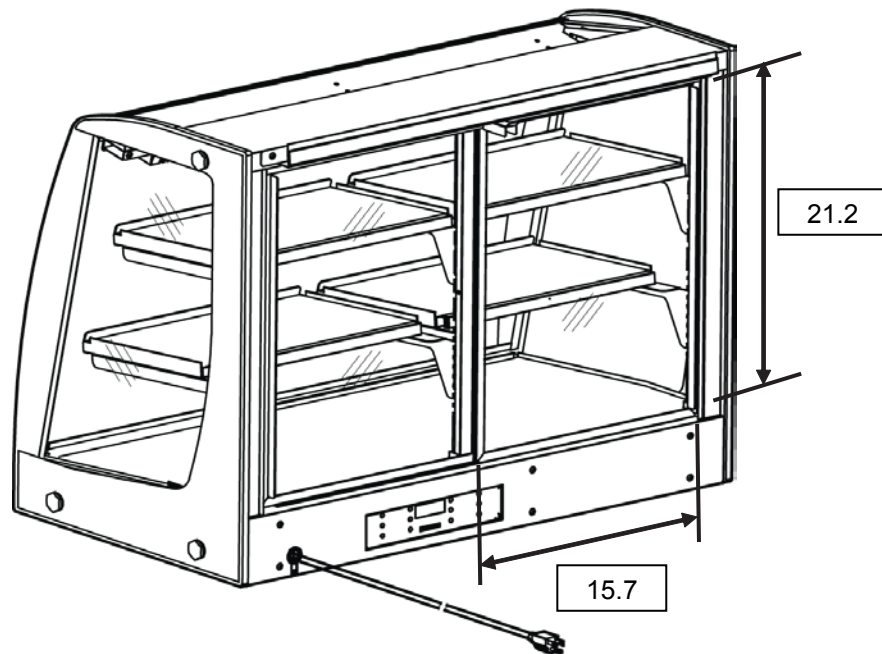
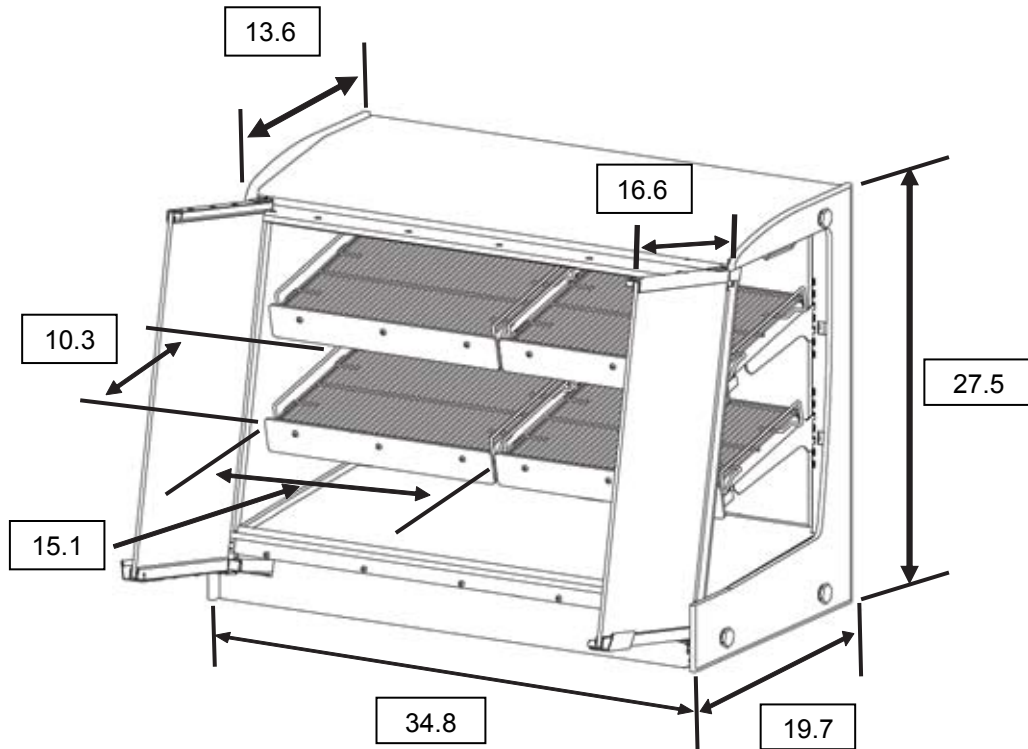
- Self Serve & Full Serve
- Perfect for wrapped hot food items

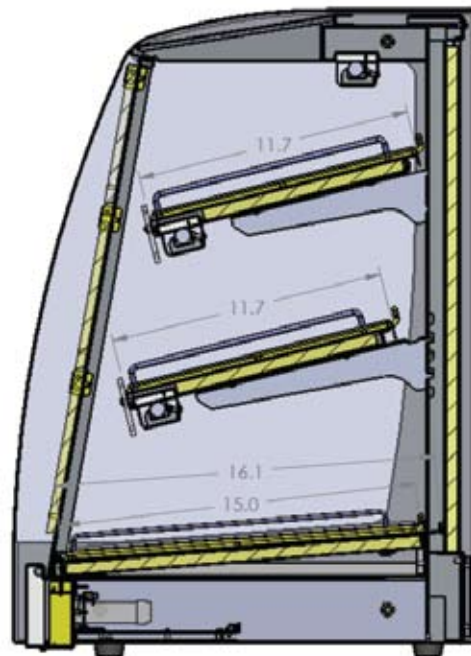
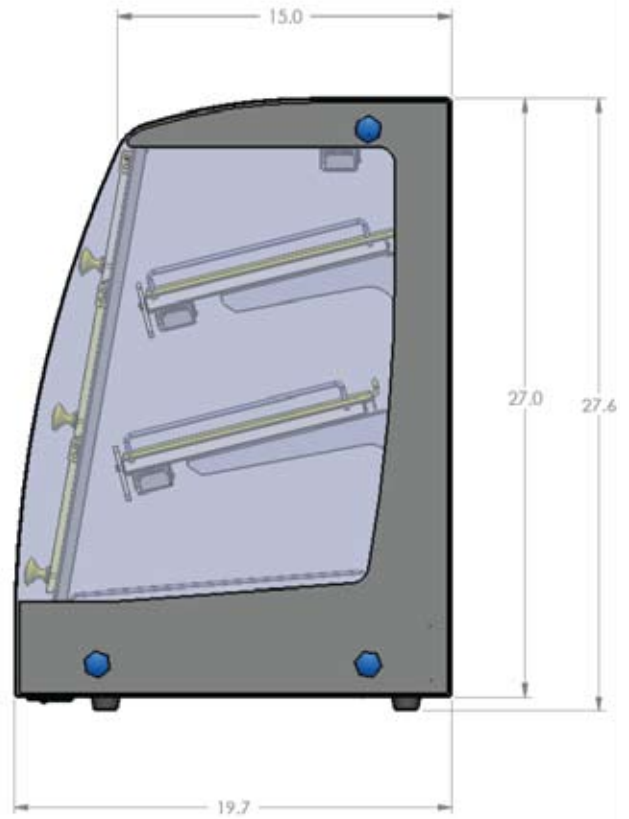
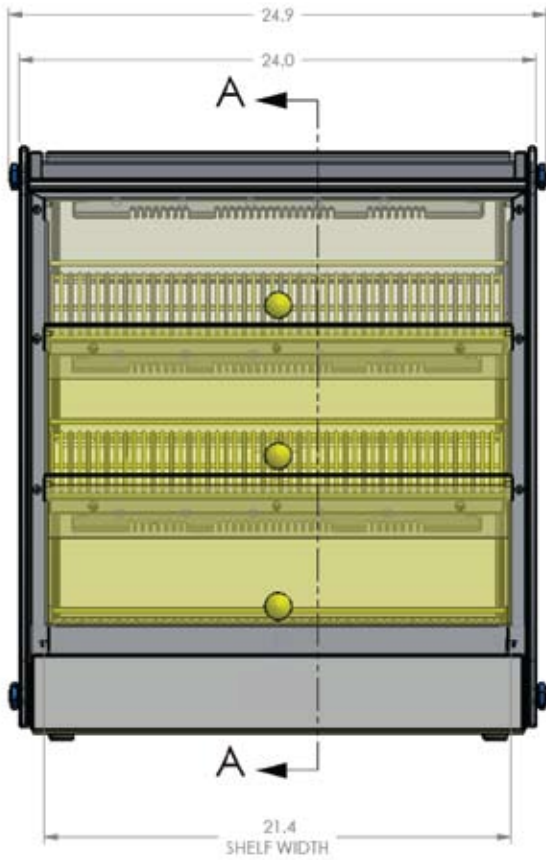


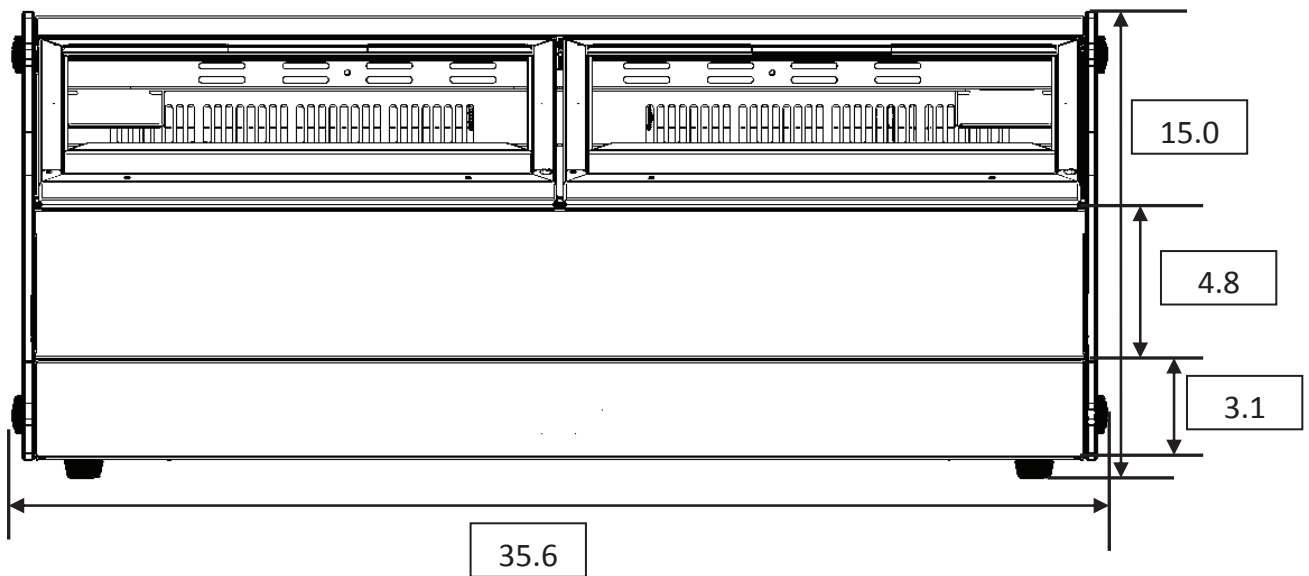
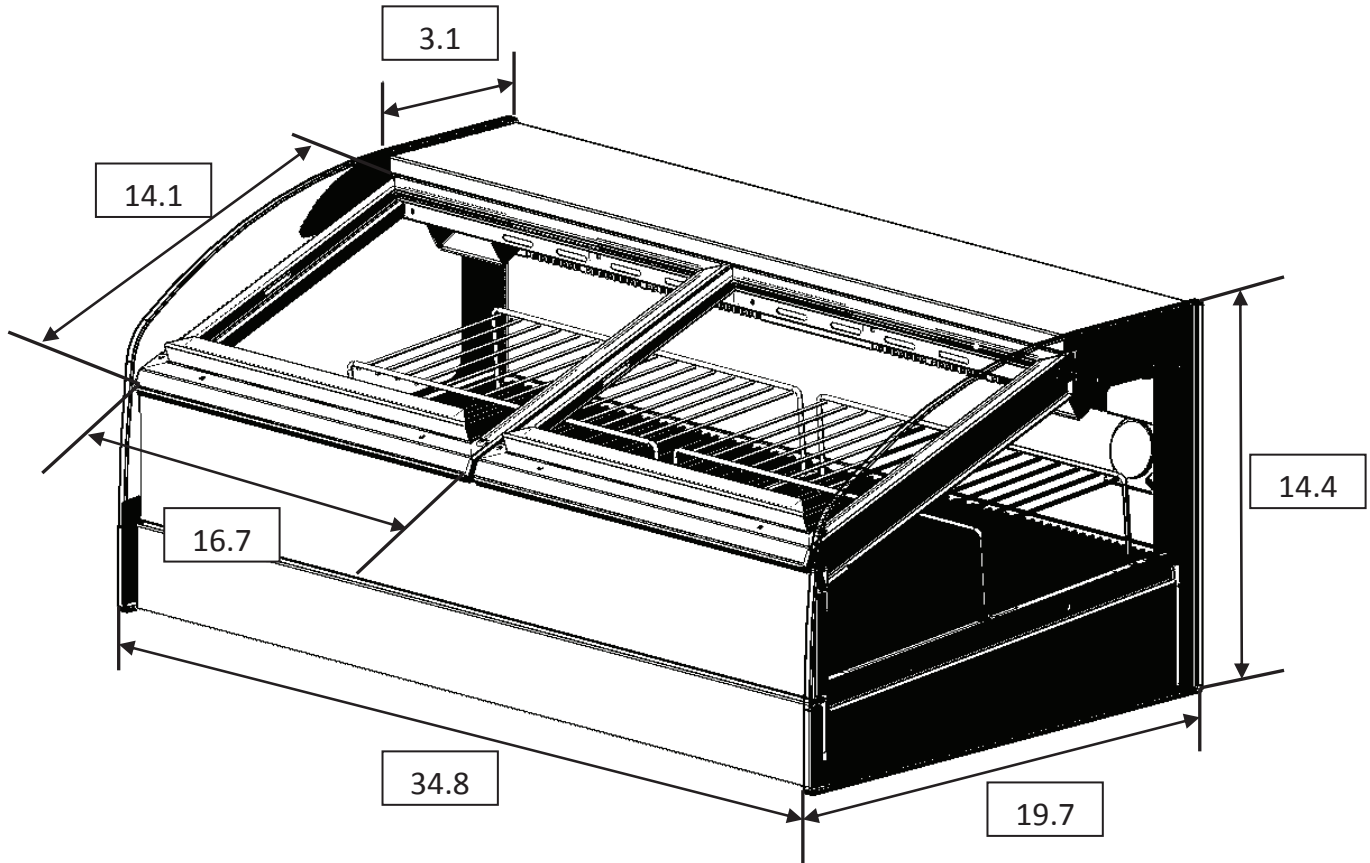
Low Profile HFD

- Self Serve Style
- Perfect for wrapped hot food items









SPECIFICATIONS

SANDENVENDO AMERICA - HOT FOOD DISPLAY CASE PRODUCT LINE

Hot Food Display Name	HFD	Combo Serve HFD	Mini HFD	Low Profile HFD
Model	HFDXXXXXX	HFDCXXXXX	HFDMXXXXX	HFDLXXXXX
Approx. Internal Volume	6 ft ³ (170 liters)	6 ft ³ (170 liters)	4.1 ft ³ (116 liters)	2.4 ft ³ (68 liters)
External Dimensions	Height	27.6" (700mm)	27.6" (700mm)	15.0 (381mm)
	Width	35.3" (896mm)	35.3" (896mm)	35.3" (896mm)
	Depth	19.7" (500mm)	19.7" (500mm)	19.7" (500mm)
Approximate Weight	154 lbs (70 kg)	160 lbs (73 kg)	122 lbs (55 kg)	94 lbs (44 kg)
Temp. Controlled Hot Plates	(6) 141 W	(6) 141 W	(4) 141W	(2) 141W
Lamps (heating & illumination)	(6) 40W Xenon	(6) 40W Xenon	(3) 40W Xenon	(2) 40W Xenon
Glass	ANSI Standard Z97.1 Tempered			
Controller	(6) Temperature Controls 100°F - 255°F	(6) Temperature Controls 100°F - 255°F	(4) Temperature Controls 100°F - 255°F	(2) Temperature Controls 100°F - 255°F
Timers	12 Timers, programmable from 1 to 4 hours			
Power	115VAC, 60Hz, 9.2 amp	115VAC, 60Hz, 9.2 amp	115VAC, 60Hz, 6.2 amp	115VAC, 60Hz, 3.4 amp
Dual Circulation Fans	Model 5 only	Standard	Standard	Standard
Optional Accessories	Rectangular Trays & Round Pans	N/A	N/A	N/A
Safety Approvals: UL 197, CSA C22.2 No. 109-M81	UL File # E314888	UL File # E314888	UL File # E314888	UL File # E314888
Sanitation Approval: NSF/ANSI 4	UL File # E314888 <i>(for HFD000001, 2, 3)</i> NSF Listing Serial # D052450 <i>(HFDXXXXXX)</i>	NSF Listing Serial # D052450	NSF Listing Serial # D052450	NSF Listing Serial # D052450

Indoor use only



IMPULSE SERIES

Hot Food Display Cases