

HYDRA KOOL



DIGITAL CONTROLLER
WITH HIGH HEAD ALARM
ON SELF CONTAINED



PULL OUT EVAP PAN
FOR EASY CLEANING
ON SELF CONTAINED



PULL DOWN
NIGHT CURTAIN

LOW GRAB-N-GO CASE

**MEDIUM TEMPERATURE
LOW OPEN FRONT
FRONT LOAD**

MODELS

KGL - OF - (40, 50, 60) - S

KGL - OF - (40, 50, 60) - R



Intertek



Intertek

**REMOTE AND SELF CONTAINED
404A REF - FORCED AIR REFRIGERATION**



Tel.: 514.737.9701 / Toll Free: 888.275.4538

Fax: 514.342.3854 / Toll Free: 877.453.8832

sales@mvpgroupcorp.com

www.mvpgroupcorp.com



SELF CONTAINED	MODEL	O.A LENGTH INCHES	CASE TEMP	ELECTRICAL - 115 VOLTS					WEIGHT
				COMPRESSOR		LIGHTS AND FANS	EVAP PAN	TOTAL AMPS	
				F.L.A.	L.R.A.				
	KGL-OF-40-S	41	36/41 F	9.9	49	1.3	6.7	17.9	357
	KGL-OF-50-S	50-1/4	36/41 F	12.9	64	1.8	6.7	21.4	395
	KGL-OF-60-S	60-5/8	36/41 F	12.9	64	2.7	6.7	21.8	454

REMOTE	MODEL	O.A LENGTH INCHES	CASE TEMP	115 VOLTS TOTAL AMPS	B.T.U.	WEIGHT
	KGL-OF-40-R	41	36/41 F	1.19	2833	291
	KGL-OF-50-R	50-1/4	36/41 F	1.27	3726	318
	KGL-OF-60-R	60-5/8	36/41 F	1.73	5558	377

THESE CASES ARE DESIGNED TO OPERATE USING R404A REFRIGERANT

O.A. DIMENSION INCLUDES (2) ENDS AT 1-1/2"

B.T.U.'S CALCULATED AT +14° F EVAP AND 90° F AMBIENT
CASES ENGINEERED TO OPERATE AT 75° F AND 55% RH

** ON REMOTE CASES - IF NO FLOOR DRAIN IS PROVIDED - AN EVAPORATIVE DRAIN PAN MUST BE ORDERED
ADD 3.3 AMPS WHEN USING A PAN

STANDARD FEATURES

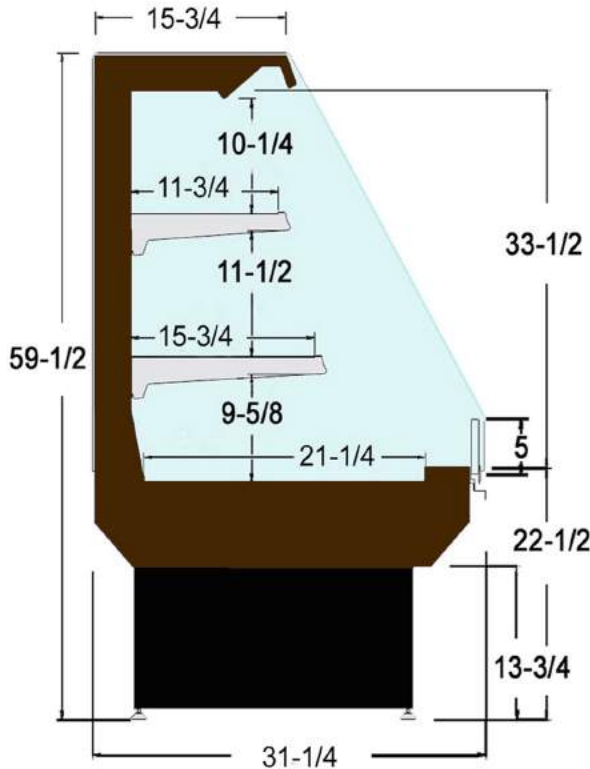
- INSULATION - INJECTED FOAM
- INTERIOR - PVC COATED STEEL-GRAY
- EXTERIOR - PVC COATED STEEL-SILVER
- ENDS-FOAMED -BLACK POLYSTYRENE
- PULL DOWN NIGHT CURTAIN
- CORD AND PLUG - ON 20 AMP OR LESS
- CASES ARE MULTIPLEXIBLE
- LED LIGHTING IN CANOPY AND UNDER ALL SHELVES
- PRODUCT STOP ON ALL SHELVES
- DEFROST AND TEMPERATURE REGULATED BY A DIGITAL CONTROLLER
- ADJUSTABLE SHELVES
- ADJUSTABLE FEET
- ETL LISTED TO UL471 AND SANITATION CLASSIFIED TO NSF7
- EVAPORATIVE DRAIN PAN ON S/C

OPTIONAL FEATURES

- CASTERS - ADD 4-3/8" TO HEIGHT
- ADJUSTABLE STAINLESS STEEL LEGS- FROM 5-1/8" TO 7-5/8"
- IF THERE IS NO FLOOR DRAIN AN EVAP PAN MUST BE ORDERED
ADD 6.7 AMPS TO 115V. - ON REMOTE
- OTHER COLORS AVAILABLE
- STAINLESS STEEL EXTERIOR
- STAINLESS STEEL INTERIOR
- ADDITIONAL SHELVES
- NIGHT LOCKING SECURITY COVER
- PRICE TAG MOULDING

WARRANTY

ONE YEAR PARTS AND LABOR WITH FOUR ADDITIONAL YEARS COMPRESSOR (PARTS ONLY)



MOUNTING

