



# KM-901M\_J(Z)(3)


MODULAR CRESCENT CUBER




KM-901M\_J(Z)(3)  
07/02/24  
Item # 13213

Item #: \_\_\_\_\_  
Project: \_\_\_\_\_  
Qty: \_\_\_\_\_  
AIA#: \_\_\_\_\_

## Features

- ▶ Individual crescent cube
- ▶ Stainless steel evaporator
- ▶ CycleSaver™ design 

- Up to 950 lbs. of ice production per 24 hours
- Mount two units, side-by-side, in only 60" of floor space for double the amount of ice production
- Durable stainless steel exterior
- EverCheck™ alert system 
- Removable air filters (Air-cooled model only)
- R-404A Refrigerant

### Available on Bins:

B-250SF B-700SF B-900SF B-1300SS B-1650SS\*  
B-500SF B-800SF B-1150SS B-1500SS\*

*Top kit may be required. See Bin Spec Sheets. \*Two unit application only.*

### Warranty:

3 Year Parts & Labor on entire machine. 5 Year Parts & Labor on Evaporator. 5 Year Parts on Compressor; air-cooled condenser coil. Valid in United States, Canada, Puerto Rico and U.S. Territories. Contact factory for warranty in other countries.

Shipping: (LxWxH) 33.5" x 33.25" X 38.5" Volume: 24.82ft<sup>3</sup>

W x D x H  
30" x 27<sup>3/8</sup>" x 32<sup>1/2</sup>"

## KMEDGE™

### KM-901MAJ

Air-Cooled

Shown on optional bin B-500

### KM-901MWJ

Water-Cooled

### KM-901MRJZ ★

Remote Air-Cooled 1 Phase

### KM-901MRJZ3 ★

Remote Air-Cooled 3 Phase

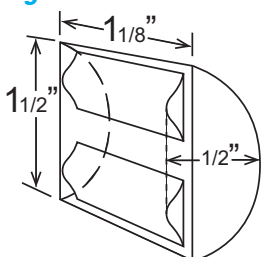


Condenser	Model	ICE PRODUCTION		WATER USAGE			ELECTRICAL				Heat Rejection BTU/hr.	Refrigerant Charge Amount	Net / Ship Weight (lbs.)	
		Air / Water Temp Lbs. per 24 hours 70°/ 50°F 90°/ 70°F		Potable Gal. per 100 lbs. 90°/ 70°F	Condenser Gal. per 100 lbs. 90°/ 70°F	kWh Used per 100 lbs. 90°/ 70°F	Min. Circuit/Max. Fuse Size	Amperage	Voltage	Circuit Wires (including ground)				
1 Phase	Air	KM-901MAJ	905	753	22.0	N/A	5.0	20A	13A	208-230/60/1	3	13,000	3 lb. 4.9 oz.	228 / 260
	Water	KM-901MWJ	950	870	16.0	113	3.6	20A	10A	208-230/60/1	3	12,700	1 lb. 14 oz.	218 / 250
	Remote	KM-901MRJZ	900	780	16.0	N/A	4.75	20A	12A	208-230/60/1	3	12,500	7 lb. 15 oz. 12 lb. 5.5 oz. <sup>†</sup>	218 / 255
3 Phase	Remote	KM-901MRJZ3	927	830	15.0	N/A	4.4	20A	7.1A	208-230/60/3	4	12,000	7 lb. 15 oz. 12 lb. 5.5 oz. <sup>†</sup>	240 / 250

<sup>†</sup>(with condenser)

Power cord not included

### KMEdge™ Cube Dimensions\*



\* approximate size in inches, image not to scale

### Operating Limits

- Ambient Temp Range 45 - 100°F
- Water Temp Range 45 - 90°F
- Water Pressure 10 - 113 PSIG
- Voltage Range 187-253V
- If GFCI is required, a GFCI breaker MUST be used in lieu of GFCI receptacle

### Service

- Panels easily removed and all components accessible for service.
- Allow 12" (30 cm) clearance at rear, sides, and top for proper air circulation and ease of maintenance and/or service should they be required.

### Plumbing

- Icemaker Water Supply Line: Min. 3/8" Nominal ID Copper Water Tubing or Equivalent
- Icemaker Drain Line: Min. 3/4" Nominal ID Hard Pipe or Equivalent
- Water-Cooled Model (Lines Must Be Independent of Icemaker)
- Condenser Water Supply Line: Min. 1/4" Nominal ID Copper Water Tubing or Equivalent
- Condenser Drain/Return Line: Min. 1/4" Nominal ID Hard Pipe (open drain system) or Copper Water Tubing (closed loop system) or Equivalent

### Water Filter

Please refer to water filter spec sheet for recommended configurations.

Hoshizaki reserves the right to change specifications without notice.

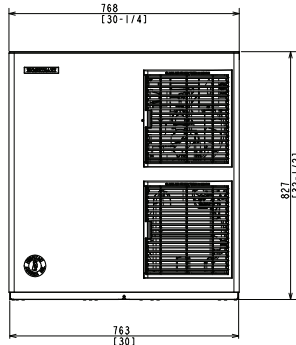


# KM-901M\_J(Z)(3)

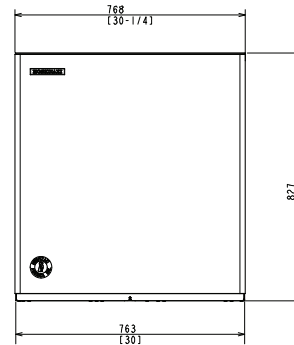
## MODULAR CRESCENT CUBER

KM-901M\_J(Z)(3)  
07/02/24  
Item # 13213

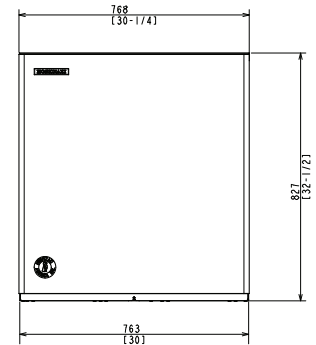
FRONT VIEW



AIR-COOLED



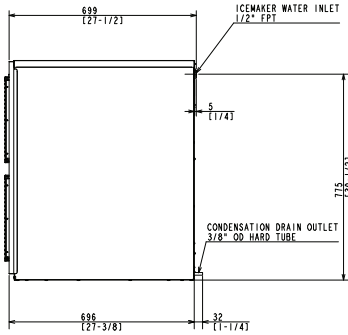
WATER-COOLED



REMOTE AIR-COOLED

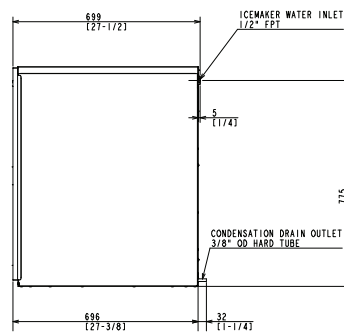
SIDE VIEW

Front →



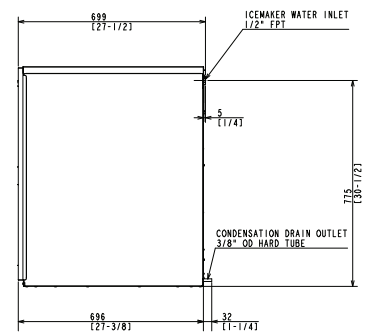
AIR-COOLED

Front →



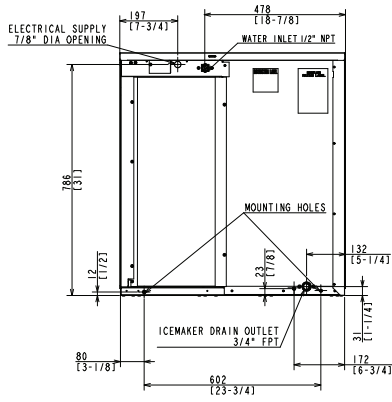
WATER-COOLED

Front →

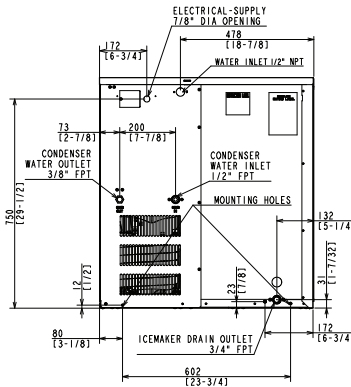


REMOTE AIR-COOLED

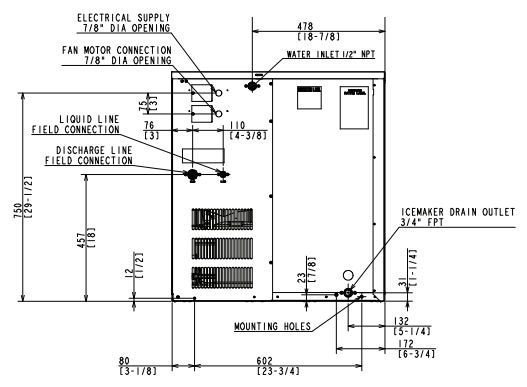
REAR VIEW



AIR-COOLED



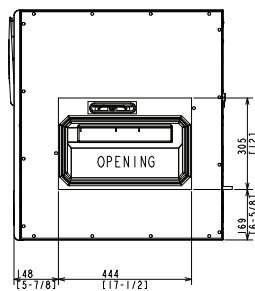
WATER-COOLED



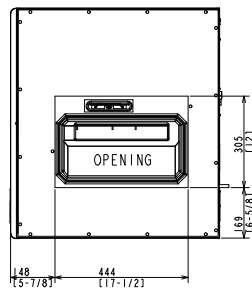
REMOTE AIR-COOLED

BOTTOM VIEW

Front →



AIR-COOLED



WATER-COOLED  
REMOTE AIR-COOLED

**URC-14FZ Remote Condenser (Sold Separately)**  
(W x D x H) 35 11/16 x 14 1/16 x 36 1/2  
For Use with KM-901MRJZ(3)

**Brazed Line Sets**  
(Sold Separately)  
25' HS-5604  
35' HS-5605  
55' HS-5606



Voltage supply for the URC Remote Condenser is supplied from the Ice Maker. No additional circuit is required.

