



KML-325/500M_J

LOW-PROFILE MODULAR CRESCENT CUBER



KML-325/500M_J
07/02/24
Item # 13413

Item #: _____
 Project: _____
 Qty: _____
 AIA#: _____

W x D x H
30" x 27^{3/8}" x 22"

Shipping Dimensions
33^{1/4}" x 33^{1/2}" x 28"

KM|EDGE™

KML-325MAJ

Air-Cooled

Shown on optional bin B-500

KML-325MWJ

Water-Cooled

KML-500MAJ

Air-Cooled

KML-500MWJ

Water-Cooled



Features

- ▶ Individual crescent cube
- ▶ Stainless steel evaporator
- ▶ CycleSaver™ design

- KML-325: Up to 385 lbs. of ice production per 24 hrs.
- KML-500: Up to 543 lbs. of ice production per 24 hrs.
- Durable stainless steel exterior
- EverCheck™ alert system
- Removable air filters (Air-cooled model only)
- R-404A Refrigerant

Available on Bins:

B-250SF **B-800SF** **B-1150SS** **B-1650SS***
B-500SF **B-900SF** **B-1300SS** **DB-200H**
B-700SF **B-1150SS** **B-1500SS*** **DM-200B**

Top kit may be required. See Bin Spec Sheets. *Two unit application only.

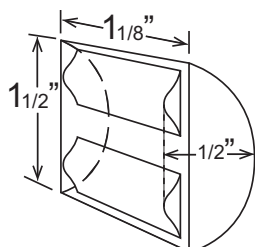
Warranty:

3 Year Parts & Labor on entire machine. 5 Year Parts & Labor on Evaporator.
 5 Year Parts on Compressor; air-cooled condenser coil.
 Valid in United States, Canada, Puerto Rico and U.S. Territories. Contact factory for warranty in other countries.



Condenser	Model	ICE PRODUCTION		WATER USAGE		ELECTRICAL							
		Air / Water Lbs. per 24 hours 70°/ 50°F 90°/ 70°F		Potable Gal. per 100 lbs. 90°/ 70°F	Condenser Gal. per 100 lbs. 90°/ 70°F	kWh Used per 100 lbs. 90°/ 70°F	Min. Circuit/ Max. Fuse Size	Amperage	Voltage	Circuit Wires (including ground)	Heat Rejection BTU/hr.	Refrigerant Charge Amount	Net / Ship Weight (lbs.)
Air	KML-325MAJ	380	300	19.9	N/A	5.72	15A	8.4A	115V/60/1	3	5,800	1 lb. 5.2 oz.	154 / 185
Water	KML-325MWJ	385	355	17.0	106	4.51	15A	8.4A	115V/60/1	3	5,500	1 lb. 1.6 oz.	154 / 185
Air	KML-500MAJ	442	400	16.0	N/A	5.55	20A	7.6A	115V/60/1	3	6,200	1 lb. 10.5 oz.	154 / 185
Water	KML-500MWJ	543	515	16.0	110	4.33	20A	9.6A	115V/60/1	3	8,000	15.9 oz.	154 / 185

KMEdge™ Cube Dimensions*



* approximate size in inches, image not to scale

Operating Limits

- Ambient Temp Range 45 - 100°F
- Water Temp Range 45 - 90°F
- Water Pressure 10 - 113 PSIG
- Voltage Range 104 - 127V
- If GFCI is required, a GFCI breaker MUST be used in lieu of GFCI receptacle

Service

- Allow 6" (15 cm) clearance at rear, sides, and top for proper air circulation and ease of maintenance/service.
- Removable air filters (air-cooled model only).

Plumbing

- Icemaker Water Supply Line: Min. 1/4" Nominal ID Copper Water Tubing or Equivalent
- Icemaker Drain Line: Min. 3/4" Nominal ID Hard Pipe or Equivalent Water-Cooled Model (Lines Must Be Independent of Icemaker)
- Condenser Water Supply Line: Min. 1/4" Nominal ID Copper Water Tubing or Equivalent
- Condenser Drain/Return Line: Min. 1/4" Nominal ID Hard Pipe (open drain system) or Copper Water Tubing (closed loop system) or Equivalent

Water Filter

Please refer to water filter spec sheet for recommended configurations.

Hoshizaki reserves the right to change specifications without notice.



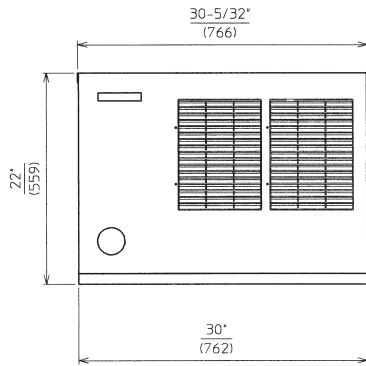
KML-325/500M_J

LOW-PROFILE MODULAR CRESCENT CUBER

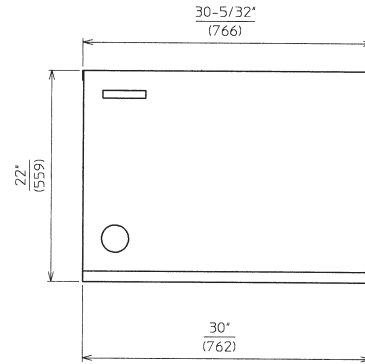


KML-325/500M_J
07/02/24
Item # 13413

FRONT VIEW

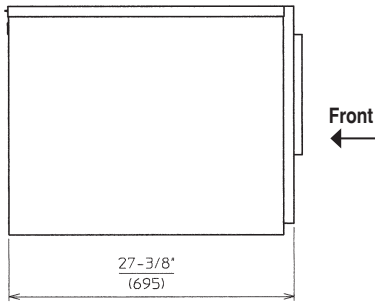


AIR-COOLED

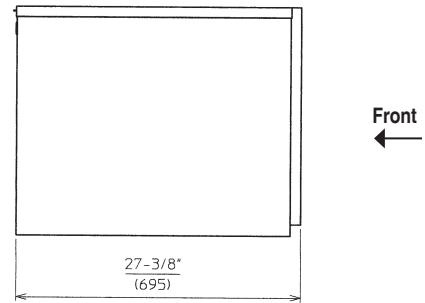


WATER-COOLED

SIDE VIEW

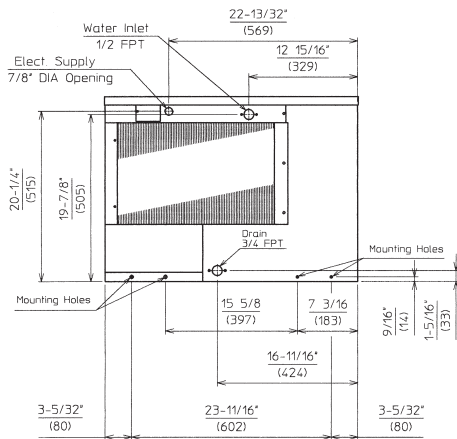


AIR-COOLED

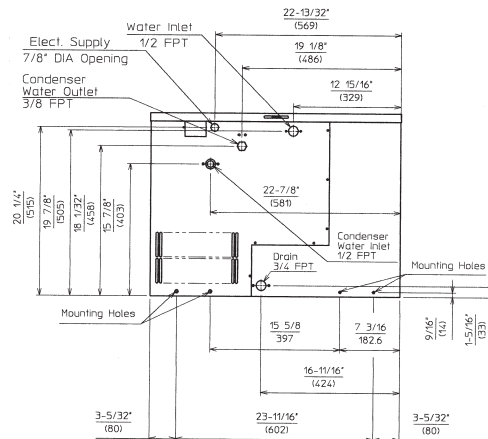


WATER-COOLED

REAR VIEW

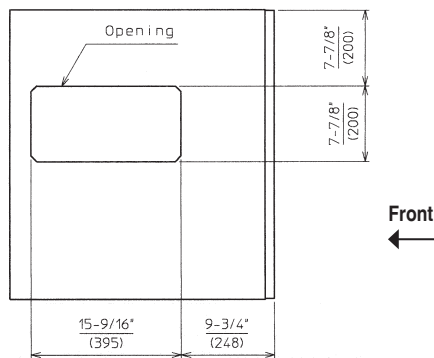


AIR-COOLED

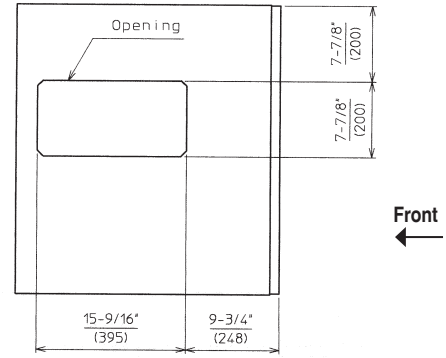


WATER-COOLED

BOTTOM VIEW



AIR-COOLED



WATER-COOLED