



RESOURCES

# MOBILE HANDWASH SINKS



Use your smart phone to scan the above QR code to visit our website: [www.bk-resources.com](http://www.bk-resources.com)

Model:

## MHS-

## Hot and/or Cold Water Units

### Standard 4" O.C. Faucet

MODEL	Water	Faucet	List Price
MHS-2424-C-BKD	Cold Only	BKD-3G-G	\$3,475
MHS-2424-CH-BKD	Hot & Cold	BKD-3G-G	\$4,076



Project: \_\_\_\_\_

Item#: \_\_\_\_\_

Quantity: \_\_\_\_\_



### Metering Faucet

MODEL	Water	Faucet	List Price
MHS-2424-C-MF	Cold Only	MF-1D-G	\$3,675
MHS-2424-H-MF	Hot Only	MF-1D-G	\$4,282



### Electric Sensor Faucet

MODEL	Water	Faucet	List Price
MHS-2424-C-JET	Cold Only	BKF-JET-9B-G	\$3,999
MHS-2424-H-JET	Hot Only	BKF-JET-9B-G	\$4,599

## MHS-

#### Material

- **Heavy Duty Stainless Steel Construction**
  - 14 gauge stainless steel top with 5" riser
  - 18 gauge stainless steel body
  - H units include hot water heater
  - C units **do not** include water heater
  - (4) 5" casters allow for easy mobility
    - (2) swivel casters (2) rigid casters
  - Right handed lockable access door
    - Left handed available
  - 10" x 14" x 5" Bowl Size

#### Faucets

##### • 3 Faucet Options

- Standard 4" O.C. Faucet (BKD)
- Hands free electronic sensor faucet (JET)
- Water saving metering faucet (MF)
- .5 GPM flow rate available for all

#### Water Tanks

##### • 5 Gallon Removable Fresh Water Tank

- No disassembly required to refill

##### • 6 Gallon Removable Waste Water Tank

- No disassembly required to refill
- Drain hose attached for easy drain

##### • Soap & Towel Dispenser

- Top fill soap dispenser for easy refill

##### • 115 volt 3.3 GPM 45 PSI Water Diaphragm Pressure Pump - CSA Listed

##### • 115 Volt Water Heater (2.5 Gallons) - ETL Listed

##### • 15' GFCI Power Cord with Standard Wall Plug -UL Listed

##### • Garden Hose Connections Also Provided for Water Supply and Drain Connections

##### • Optional Pump-Saving Foot Switch Available (MHS-MFS)

- Stops pump burn out by allowing user to turn the faucet AND pump on and off

PRODUCT DATA SHEET

RESOURCES





RESOURCES

# MOBILE HANDWASH SINKS

Model:

**MHS-**

## Hot and/or Cold Water Units

### Applications

- Medical, Lab & Testing Facilities
- Restaurants, Catering, Banquets
- Food Trucks, Cafeterias
- Classroom & Schools
- Business
- Care Homes

### Options

- 2 & 3 Compartment Sinks Available
- 50' Inline GFCI Cord
- Pump-Saving Foot Switch Available
- For Standard 4" O.C. Faucet unit
  - Wristblade Handles (BKF-WBH)
  - SaniTimer Handwash Timer (ST-100)
  - Eyewash attachment (BK-EWS)

### Warranty

- One year labor and parts

### Internal View



**Fresh Water Tank   Gray Water Tank   Easy Drain Hose**

**Water Heater**

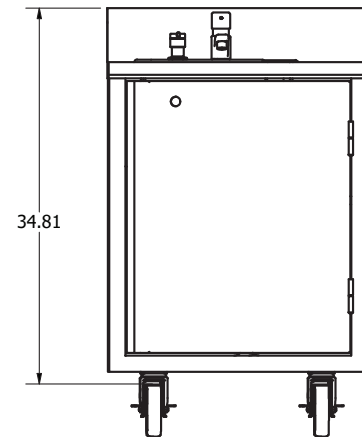
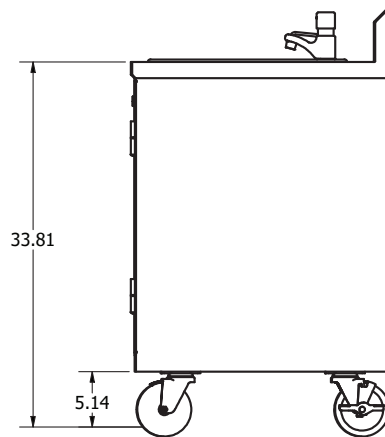
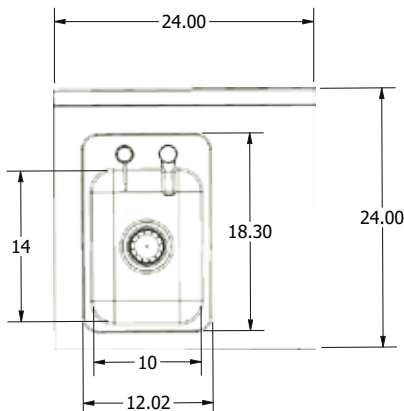
**No Disassembly Required to Fill or Drain tanks**

### Plan View

Top

Side

Front



PRODUCT DATA SHEET

BK RESOURCES