
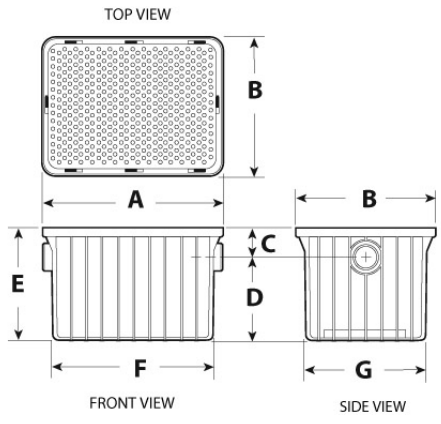




[Click here to print this document / export to PDF](#)

[Click here to email this as PDF](#)

 <p><b>SUBMITTAL SHEET</b></p>	<p>Part Description: 25 GPM GREASE INTERCEPTOR 3"</p>	<p>Part Number: 3925ALT03</p>																																																							
<p>Canplas Industries Ltd 500 Veterans Drive Barrie, Ontario, 1-800-461-5300</p> <p>Canplas LLC 11402 East 53rd Ave. Denver, CO 1-888-461-5307</p>																																																									
																																																									
	<table border="1"> <thead> <tr> <th>Part #</th> <th>Part UPC</th> <th>Color</th> <th>Size (Inches)</th> <th>Ctn Qty</th> <th>Ctn Bar Code</th> <th>Ctn Wt (Kgs)</th> <th>Ctn Wt (lbs)</th> <th>Skid Cubic (m)</th> <th>Skid Cubic (ft)</th> <th>Ctns/Skid</th> </tr> </thead> <tbody> <tr> <td>3925ALT03</td> <td>662671068736</td> <td>GREY</td> <td>3</td> <td>1</td> <td>10662671068733</td> <td>23.97</td> <td>52.84</td> <td>1.82</td> <td>64.17</td> <td>6</td> </tr> <tr> <th colspan="11">Dimensions (Inches)</th> </tr> <tr> <th>A</th> <th>B</th> <th>C</th> <th>D</th> <th>E</th> <th>F</th> <th>G</th> <th colspan="4"></th> </tr> <tr> <td>31.00</td> <td>23.50</td> <td>5.20</td> <td>12.20</td> <td>17.40</td> <td>28.75</td> <td>21.25</td> <td colspan="4"></td> </tr> </tbody> </table>		Part #	Part UPC	Color	Size (Inches)	Ctn Qty	Ctn Bar Code	Ctn Wt (Kgs)	Ctn Wt (lbs)	Skid Cubic (m)	Skid Cubic (ft)	Ctns/Skid	3925ALT03	662671068736	GREY	3	1	10662671068733	23.97	52.84	1.82	64.17	6	Dimensions (Inches)											A	B	C	D	E	F	G					31.00	23.50	5.20	12.20	17.40	28.75	21.25				
Part #	Part UPC	Color	Size (Inches)	Ctn Qty	Ctn Bar Code	Ctn Wt (Kgs)	Ctn Wt (lbs)	Skid Cubic (m)	Skid Cubic (ft)	Ctns/Skid																																															
3925ALT03	662671068736	GREY	3	1	10662671068733	23.97	52.84	1.82	64.17	6																																															
Dimensions (Inches)																																																									
A	B	C	D	E	F	G																																																			
31.00	23.50	5.20	12.20	17.40	28.75	21.25																																																			