

# TECHNICAL DATA

## Dimensions

Exterior Dimensions (WxDxH)	47.25" x 33.5" x 47.25"
Interior Dimensions (WxDxH)	43.5" x 27" x 22"
Shelf Depths:	Shelf 1: 12" Shelf 2: 16" Shelf 3: 21"
Net Weight	550 lbs
Packaging Dimensions (WxDxH)	51" x 36.25" x 51"
Packaging Weight:	640 lbs

## Cooling

Temperature Range	35° - 47° F
Refrigerant	R134a
Maximum Ambient Temperature Rating	100.4° F
Defrosting	Automatic
Temperature Display	Yes
Temperature Controller	Mechanical
H/P	1

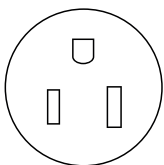
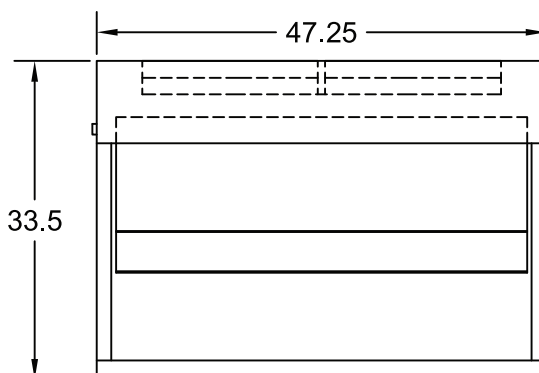
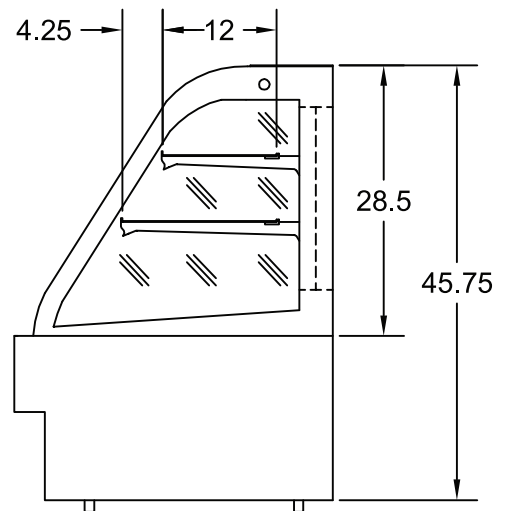
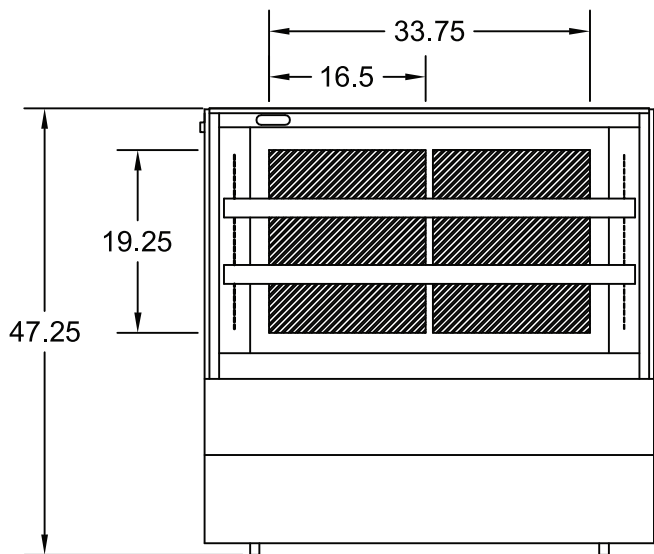
## Construction

Exterior Material	201 series stainless steel
Interior Material	Glass
Insulation Material	Foamed in place polyurethane
Shelf Load Capacity	44 lbs

## Electrical

Voltage	110
Amps	6
Hz	60
Phase	1

## PLAN VIEW



NEMA 5-15