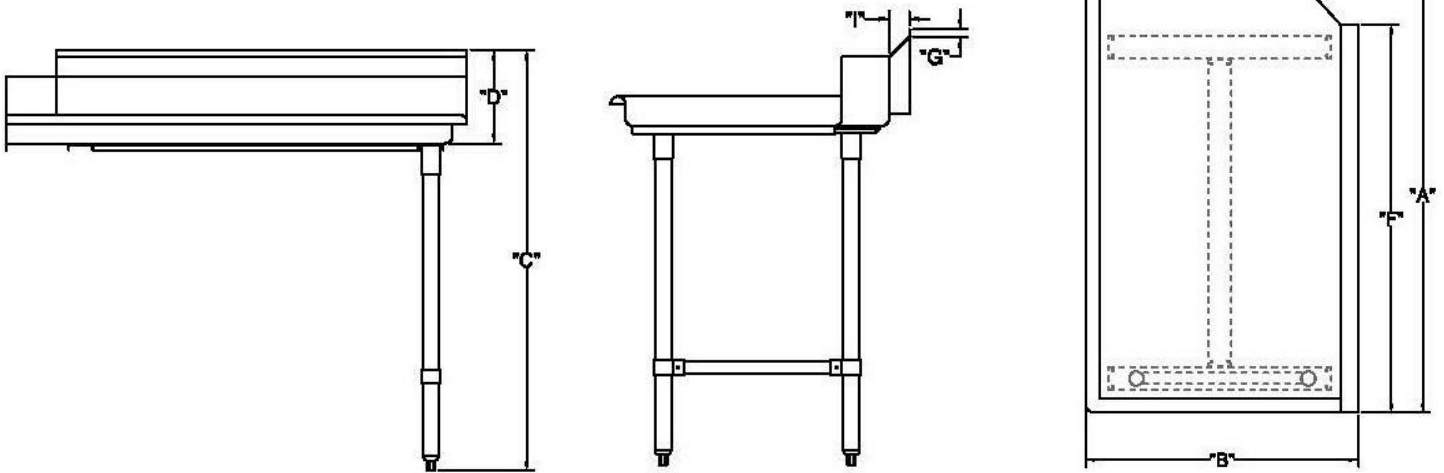


### 16 Gauge Stainless Steel Clean Dishtables



- Made of 16-gauge, 304 stainless steel
- Stainless Steel Legs with Cross Bracing Made of 18-gauge, 202 Stainless Steel
- 1" Adjustable stainless steel bullet feet for added stability



ITEM	Length (A)	Width (B)	Overall Hight (C)	Back Splash Hight (D)	Machine Lip (E)	Back Splash Length (F)	Rolled Edge Hight (G)	Rolled Edge Hight (H)	Back Splash Depth (I)
SWCDT-26R	26"	30"	43 3/4"	9 3/4"	21 3/4"	20 3/4"	3/4"	1 1/2"	2"
SWCDT-36R	36"	30"	43 3/4"	9 3/4"	21 3/4"	30 3/4"	3/4"	1 1/2"	2"
SWCDT-48R	48"	30"	43 3/4"	9 3/4"	21 3/4"	42 3/4"	3/4"	1 1/2"	2"
SWCDT-60R	60"	30"	43 3/4"	9 3/4"	21 3/4"	54 3/4"	3/4"	1 1/2"	2"
SWCDT-72R	72"	30"	43 3/4"	9 3/4"	21 3/4"	66 3/4"	3/4"	1 1/2"	2"