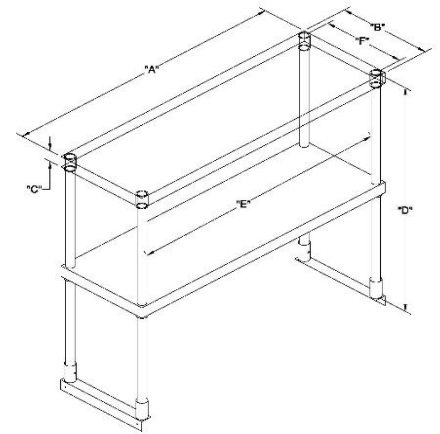


### 18 Gauge Stainless Steel Double Over Shelf



- Made of 18-Gauge, 430 Stainless Steel
- Adjustable Second Shelf Designed for Added Capacity and Organization
- Easily Attaches to Most Worktables
- Adds Valuable Storage Space to Your Kitchen



ITEM	LENGTH (A)	DEPTH (B)	HEIGHT (D)	USABLE SPACE (E)	USABLE SPACE (F)	TOP SHELF CAPACITY	BOTTOM SHELF CAPACITY
SWDOS-1236	36"	12"	32"	33.5"	9.5"	350 LB.	220 LB.
SWDOS-1248	48"	12"	32"	45.5"	9.5"	380 LB.	240 LB.
SWDOS-1260	60"	12"	32"	57.5"	9.5"	400 LB.	260 LB.
SWDOS-1272	72"	12"	32"	69.5"	9.5"	420 LB.	280 LB.
SWDOS-1636	36"	16"	32"	33.5"	13.5"	360 LB.	230 LB.
SWDOS-1648	48"	16"	32"	45.5"	13.5"	390 LB.	240 LB.
SWDOS-1660	60"	16"	32"	57.5"	13.5"	410 LB.	260 LB.
SWDOS-1672	72"	16"	32"	69.5"	13.5"	430 LB.	290 LB.