

Salad & Sandwich Prep Tables

STANDARD FEATURES

- DURABLE STAINLESS STEEL**

Our prep tables boast a sturdy stainless steel exterior and interior finish and galvanized back panel providing strength and durability.

- DURABLE STAINLESS STEEL**

Standard doors come with easy grip handles and self closing / 120 ° stay open door feature, working together for customer convenience.

- MAGNETIC DOOR GASKET**

Built of one piece, the gasket is removable without tools for ease of cleaning and replacement. Door's in step design gives added protection to the gasket.

- FRONT BREATHING**

Allows unrestricted placement of the unit.

- EFFICIENT REFRIGERATION SYSTEM**

Factory engineered oversized and balanced refrigeration system. CFC-free R-134A Refrigerators maintain temperature from 33°F to 41°F. Forced air design underneath pans to keep products fresh.

- HIGH DENSITY POLYURETHANE INSULATION**

2" Ecomate® CFC-free polyurethane insulation foamed in place for extra strength and energy efficiency, while being environmentally friendly with zero ozone depletion potential (ODP) and zero global warming potential (GWP).

- INSULATED LIDS**

Removable insulated lids keep food fresh and cold by reducing condensation.

- REVERSIBLE & EASY CLEANING CUTTING BOARD**

The full length removable white polyethylene cutting board provides a comfortable 10" operation space.

- STANDARD WITH FULL SETS OF 1/6th PANS, 4" DEEP**

It also accommodate 6" deep pans (except for PTS-27: has three 1/9th size pans).

■ UCTS-27-8

■ UCTS-60-16

■ UCTS-48-12

■ UCTS-72-18



UCTS-27-8



UCTS-60-16



UCTS-72-18

OPTIONS & ACCESSORIES

Additional epoxy coated shelves / 2.5" Casters / 6" Adjustable stainless steel legs / 220V-50Hz-1Phase



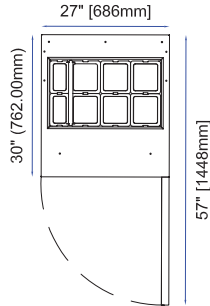
ISO-9001

Model	Doors	Top Pans	Shlvs	Amps	HP	Volts	Nema Plug	Cord Length	Cabinet Dimensions ^{H**}			Shipping ^{Wt. Cubes}	
SOLID DOOR													
UCTS-27-8	1	8	1	2.7	1/6	115/60/1	5-15P	8'	27"	30"	38"	188	33
UCTS-48-12	2	12	2	5.4	1/4	115/60/1	5-15P	8'	48"	30"	38"	280	55
UCTS-60-16	2	16	2	6.7	1/3	115/60/1	5-15P	8'	60"	30"	38"	320	68
UCTS-72-18	3	18	3	6.7	1/3	115/60/1	5-15P	8'	72"	30"	38"	370	81

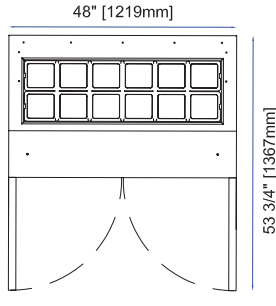
*Depth does not include 1" bumper

**Height does not include 5" overall for casters

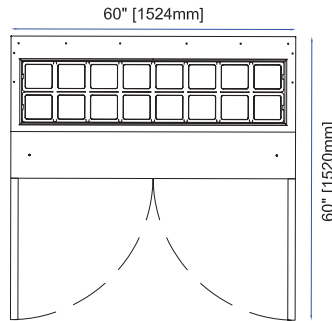
UCTS-27-8 Top View



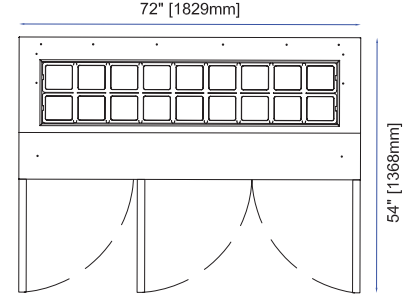
UCTS-48-12 Top View



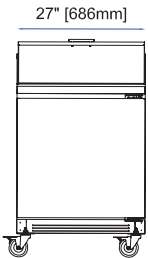
UCTS-60-16 Top View



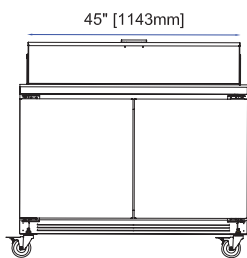
UCTS-72-18 Top View



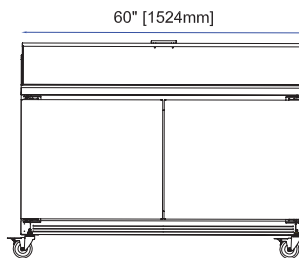
UCTS-27-8 Front View



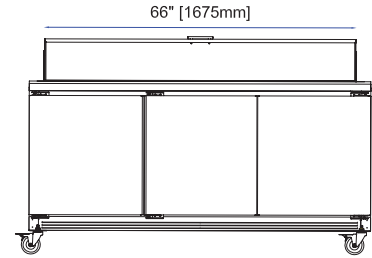
UCTS-48-12 Front View



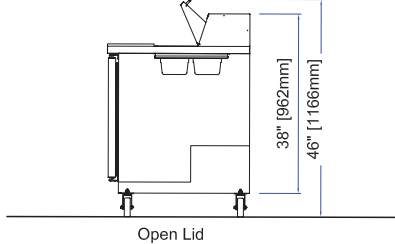
UCTS-60-16 Front View



UCTS-72-18 Front View

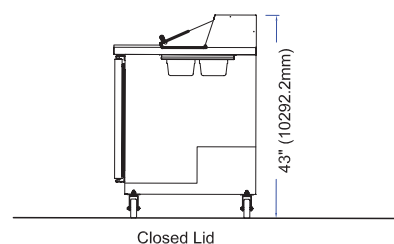


Common View



Open Lid

Common View



Closed Lid

* Specifications



ISO-9001

■ CABINET CONSTRUCTION

- EXTERIOR: Stainless steel, galvanized steel back.
- INTERIOR: Stainless steel.
- CABINET & DOOR : Entire foamed-in-place high-density, Ecomate® CFC-free, polyurethane insulation. Coved corner floor to meet NSF requirements.
- CASTERS: 4" Diameter swivel casters, front two with brakes.
- SHELVES: 1 Adjustable heavy duty epoxy coated wire shelves per door.

■ DOORS

- Stainless steel exterior with ABS interior liner.
- One piece constructions magnetic gasket, removable without tools for easy cleaning.
- Self-closing doors with 120° stay open feature and recessed handles for convenient loading and unloading.

■ REFRIGERATION SYSTEM

- Oversized and balanced refrigeration system.
- Self-contained capillary tube system using environmentally-friendly & CFC-free refrigerant.
- R-134a holding temperature at 33°F to 41°F.
- Front breathing allows unrestricted placement of the unit.
- Large fan motor and fan blades for better air circulation.
- Self contained system, no plumbing necessary.

■ OTHERS

- The whole unit us completely pre-wired at factory with cord and plug set included and ready for final connection to a 115/60/1 phase.
- 220V / 50Hz / 1Ph available from factory.

■ WARRANTY

- 1 Year parts and labor warranty.
- 5 Years warranty on compressor.

* Specification are subject to change without notice as we continue to make product improvements