

Concession Trailer

Hood General Specifications

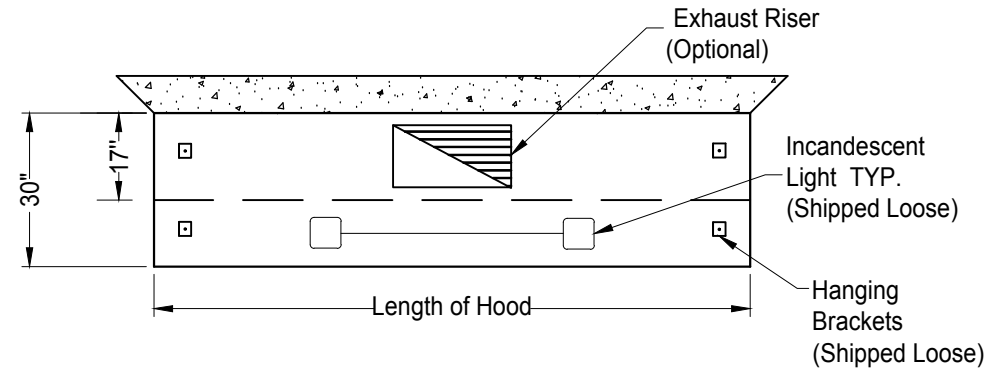
- Hoods are built in accordance with NFPA 96, NSF Specifications and UL Listed to ANSI / UL and CAN / ULC
- Hoods are constructed of 18 gauge stainless steel
- Grease Filters are 20" baffle type which carry a U.L. listing and constructed of Stainless Steel
- Grease trough is made to receive grease extracted by the filter
- Each Grease trough is equipped with a stainless steel cup

Notes:

- Factory does not cut holes in hood
- Lights and Hanging Brackets are shipped loose
- Can be installed upon request.

Available In:

- **Deluxe:** All Stainless Steel



It is the responsibility of the architect/owner to ensure that the hood clearance from limited-combustible and combustible materials is in compliance with local code requirements

