



A Division Of The Legacy Companies

Model Double D-8

Door Type Dishwasher

- **Simplicity**
- **Dependability**
- **Superior Performance**
- **Stainless Steel Pumps**
- **One model for straight through or corner operation**
- **Capacity: 110 racks per hour**
- **Two Independent Tanks**

SUGGESTED BRIEF SPECIFICATIONS

Dishwasher shall be BLAKESLEE Model Double D-8 for straight through or corner installation with two (2) 1 H.P. Pump motors for operation on ____ volt, ____ cycle, ____ phase electric current. Dishwasher shall be heated by steam (or gas or electricity—specify type of heat desired). Machine shall be equipped with—(check and specify any extra equipment desired).

- ____ dish racks and
- ____ combination racks
- ____ S2 steam booster (or 24 k.w. electric, specify one desired) for boosting temperature of final rinse.

LONG SPECIFICATIONS

DESIGN: Dishwasher shall be dual tank door type with spring counterbalanced three-way door opening as one unit to make possible either straight through or corner installation. Dishwasher shall be equipped with electrical timing device on which the push of a control button will start an automatic cycle consisting of a timed wash of 45 seconds and a 15 second final rinse. Fill shall be through strainer and electrically operated solenoid valve. Dishwasher shall have interlock safety switch to interrupt operation when door is raised. Dishwasher shall have easily removable stainless steel front panel. Dishwasher shall be listed by National Sanitation Foundation, Underwriters Laboratories and American Society of Sanitary Engineering.

DIMENSIONS: Dishwasher shall be 52-1/4" (1327 mm) long, 26-3/16" (665 mm) wide and 58" (1470 mm) high.

CONSTRUCTION: Tanks and hoods shall be constructed of stainless steel with welded steel bases and stainless steel legs and adjustable feet.

PUMPS: Pumps (2) will be packless seal type with a total capacity of 360 gallons (1360 liters) per minute. Pumps shall have stainless steel housing.

MOTORS: Pump motors shall be 1 H.P. (0.75 k.w.) 1725 r.p.m. Two (2) required.

Project Name:	
Location:	
Item:	Qty:
Model:	



ELECTRIC CONTROL PANEL: Motors (2) shall have a separate U.L. listed magnetic starter with overload and low voltage protection, all interwired to a machine mounted control panel for one common electrical connection to the machine. Control panel shall be an integral part of machine—no portion shall extend beyond the overall dimensions of the tank.

STANDARD EQUIPMENT: Shall consist of 4 dish racks and 4 combination racks for cups, bowls, glasses and silver. Dial type wash and rinse thermometers mounted on machine; door interlock safety switch; line strainer on final rinse, vacuum breaker on final rinse and tank fill line, and machine mounted electric control panel.

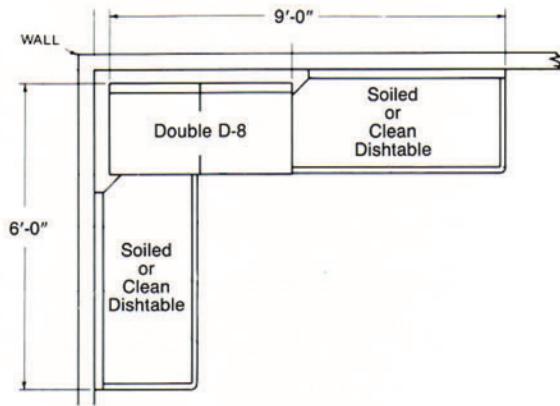
AVAILABLE EXTRA EQUIPMENT: Extra dish racks; extra combination racks; 24 k.w. electric booster on floor stand or S2 steam booster on floor stand for independent boosting temperature of final rinse; tank switch to operate tanks individually, if desired; automatic door cycle switch; and, thermal cycle extension.



A Division Of The Legacy Companies

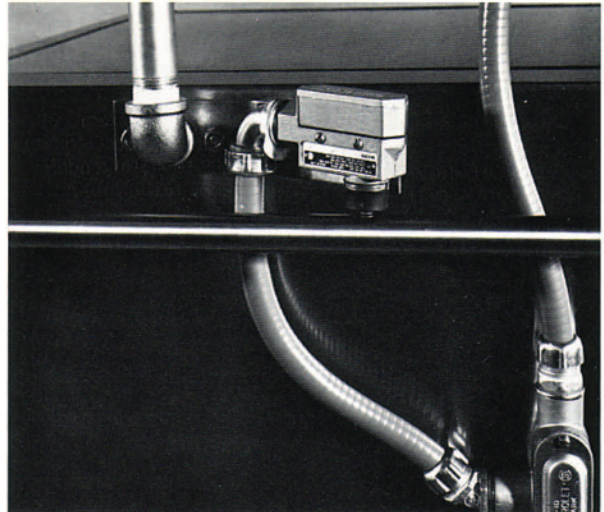
Model Double D-8

Basic Wall Space Required

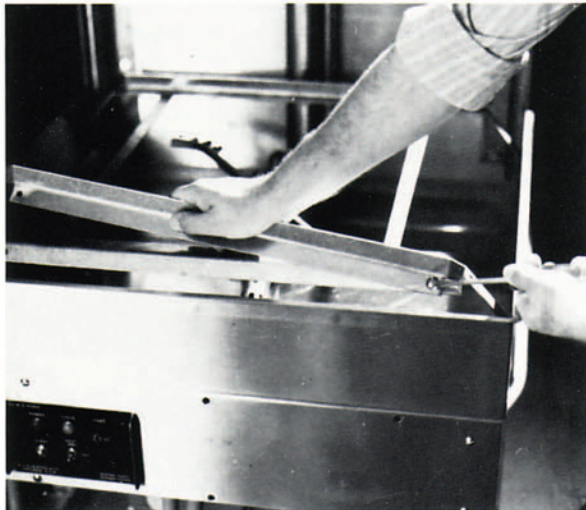


APPROX. SHIPPING WEIGHTS (includes Racks)

Dom. Shpg. Wt.	804 lbs. (365 kg.)
Export boxed	1004 lbs. (455 kg.)
Export cube95 cu. ft. (3.5 cu. m)
74" (1880 mm), W 36 1/2" (927 mm), H 70 1/2" (1790 mm)	



Shown above is the door interlock safety switch that automatically turns off the wash and final rinse sprays in the event the doors are raised during the wash or rinse cycle.



Can be easily converted from "straight through" to "corner" operation, or vice versa should such conversion ever be desired during the long life of the machine. Simply remove two screws and relocate one side of rack guide as illustrated above.

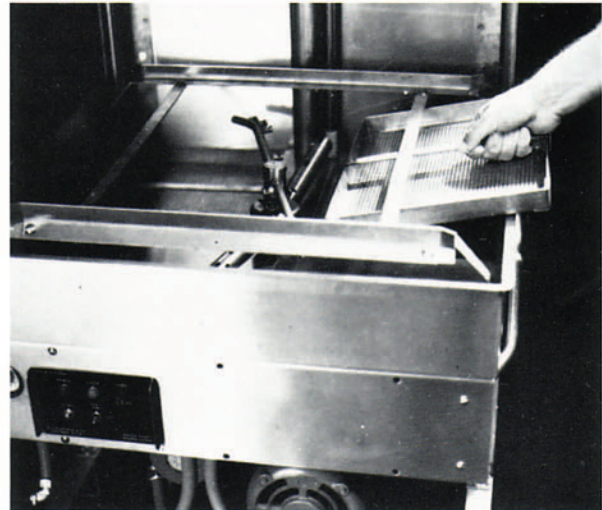


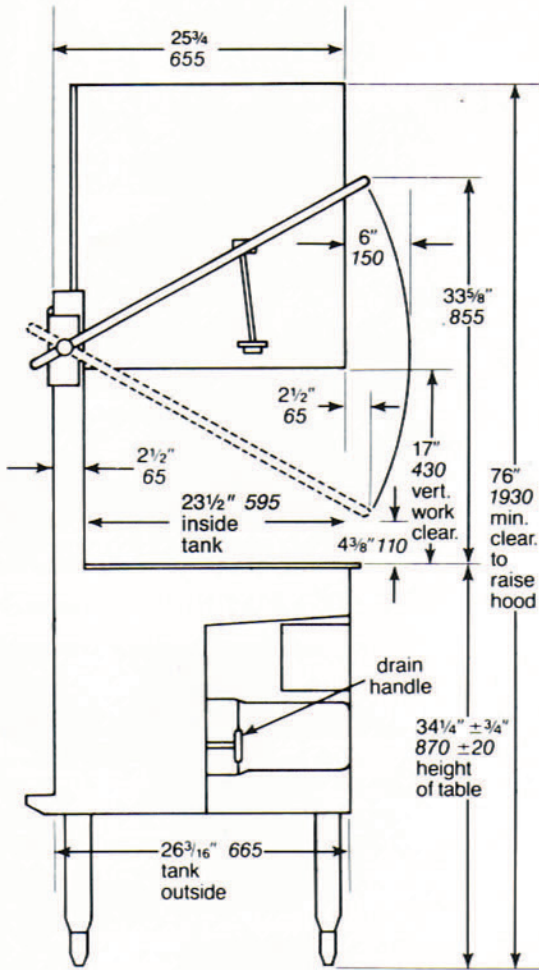
Illustration above shows the easy removal of the two stainless steel scrap trays. Precision-engineered wash and rinse arms above and below the dishes assure thorough washing and rinsing. The three-way door makes cleaning and maintenance simple and speedy.

OUTSTANDING FEATURES— ALL AT NO EXTRA COST

- Heat Sanitizing or Chemical Sanitizing Operation.
- Clean all stainless steel Dishwasher
- Rugged, easily removable drains.
- All stainless steel high pressure wash pumps.
- One model can be used for either straight through or corner operation. (See illustration showing how easily and quickly this change can be made.)
- Extremely simplified control circuitry for utmost in dependability and easy servicing.
- Low watt density electric heating elements for extended heater life and energy saving.
- Rugged, easily removable scrap screens.
- Control panel mounted in front of machine so no projection extends beyond the overall dimensions of the tank for neater appearance and less interference.
- Minimum number of moving parts to give long, trouble-free service with most effective wash.
- Unique door interlock safety switch that automatically turns off the wash and final rinse sprays in the event the doors are raised during the wash or rinse cycles. This very desirable safety feature is part of the standard equipment on the Blakeslee Double D-8.

All Blakeslee dishwashers are designed to be in compliance with NSF, UL, CSA, and ASSE Standards.

Dimensional Diagram



Mk. No.	Service Connection	Fitt.	Function	Dim. From Floor
(W) 1	180° Hot Water	1"	Tank fills & final rinse inlet	60 1/2"
(E) 2A	Electric Heat 39 AMPS	1-1/8"	208-240/60/1 Control panel & mtrs. (2) Tank heaters 2.5 k.w. each	25"
(E) 2B	Electric Heat 32 AMPS	1-1/8"	208-240/60/3 Control panel & mtrs. (2) Tank heaters 2.5 k.w. each	25"
(E) 2C	Electric Heat 16 AMPS	1-1/8"	440-480/60/3 Control panel & mtrs. (2) Tank heaters 2.5 k.w. each	25"
(D) 4	Drains (2)	2"	Connects to waste	12 1/2"
(S) 5	Steam	3/4"	Tank heat-coil-out	10"
(S) 6	Steam	3/4"	Tank heat-coil-in	10"
(S) 7	Steam	3/4"	Tank heat-injector	10"

Tanks require 37.0 gal's of 140° hot water (minimum) to fill
 Final rinse requires 144 gal's/hour of 180° hot water at 20 P.S.I.
 Total steam requirement 50 lbs. cond./hour at 20 P.S.I.

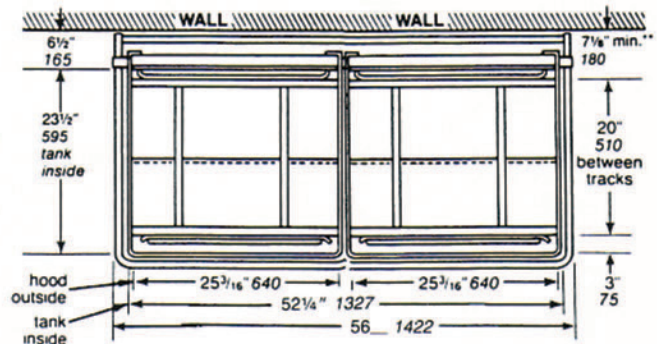
GENERAL NOTES

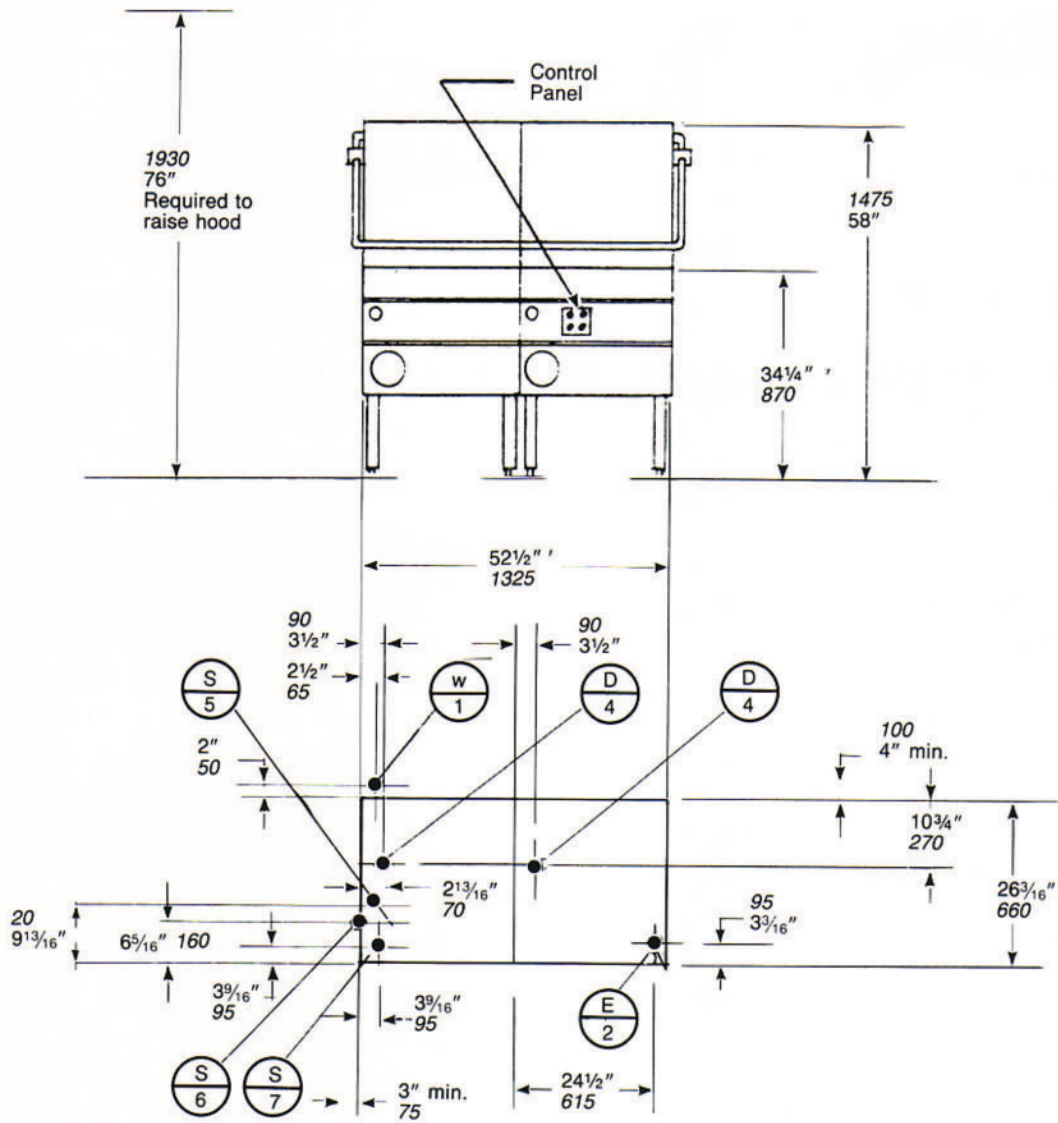
- Electric and steam hot water boosters—for final rinse—optional extra.
 - 24 k.w. electric booster on floor stand 12" (305 mm) from side of dishwasher.
 - steam operated booster on floor stand 12" (305 mm) from side of dishwasher.
 Electric thermostats in dishwasher tank are wired to electric control panel on dishwasher. Electric heating element in dishmachine tank is wired direct to the control panel. The electric contractor should furnish and install a disconnect switch in line ahead of dishwasher in compliance with local code. Electric final rinse boosters should be wired direct to power line.

- All vertical dimensions from floor line subject to 3/4" (20 mm) increase or decrease due to adjustable feet.
- Each tank requires 18.5 gal. (70 liters) of hot water to fill. Total 37 gals.
- Recommended rinse water flow pressure: 15 to 25 P.S.I. (103 Bar to 1.75 Bar.)
- All final electrical and plumbing connections to be furnished by owner. In making service connections, allowance must be made for normal variations in pipe work.

Voltage		Amperage
208-240/60/1	Electric	39
	Gas	16
	Steam	16
208-240/60/3	Electric	32
	Gas	9
	Steam	9
440-480/60/3	Electric	16

GAS BURNER FLUE NOT FURNISHED ON STEAM OR ELECTRICALLY HEATED MACHINES. WHEN GAS HEATED MACHINES ARE SPECIFIED DIMENSIONS MARKED** ARE INCREASED BY 2" (50 mm).





Truly a Two (2) Tank Door Type Dishwasher

