



Therma-Tek Range Corp.
 115 Rotary Drive, Valmont Industrial Park
 West Hazleton, PA 18202



TCM36

COMMERCIAL GAS INFRA-RED CHEESEMELTER

STANDARD FEATURES

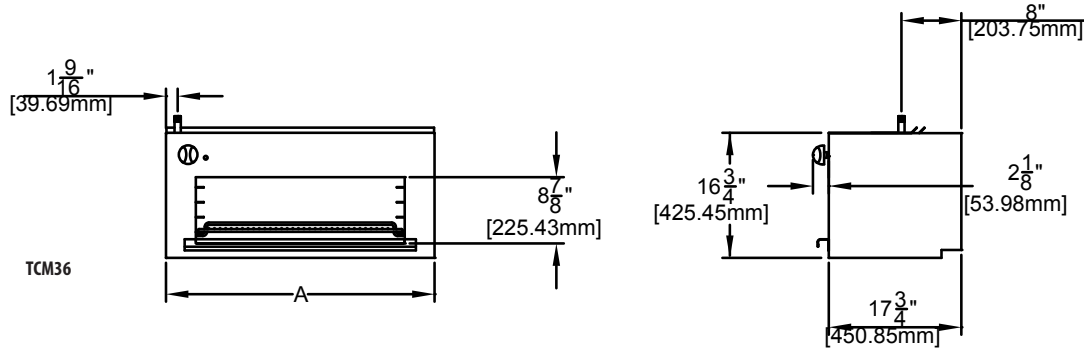
- * Fully stainless steel exterior.
- * Interior surfaces corrosion resistant aluminized steel.
- * 4" (101.5 mm) adjustable legs (counter model).
- * Gas pressure regulator.
- * Rapid fire infra-red tile burners.
- * 20,000 BTUs (5.86 kW) or 35,000 BTUs (10.26 kW) depending upon model.
- * Each burner is individually controlled.
- * Ignition by standing pilot for each burner.
- * One nickel plated shelf sized to model width.
- * Rack has four adjustable positions.
- * Drip pan is easily removed for cleaning.
- * Available in 24", 36", 48", 60", and 72" widths.
- * One year limited parts and labor warranty.
- * Range mount, wall mount, and counter mount models available.

OPTIONAL FEATURES

- * ICPK (interconnecting piping) between cheesemelter and range.
- * Stainless steel bottom.
- * RMK (Range Mount Kit).
- * CMK (Counter Mount Kit).
- * WMK (Wall Mount Kit).
- * Additional shelves sized to model width.
- * CE-approved flame failure device available on most models.



Therma-Tek Range Corp.
115 Rotary Drive, Valmont Industrial Park
West Hazleton, PA 18202



GAS REQUIREMENTS							
Operating Manifold Gas Pressure				Manifold Connection			
Natural		Propane		Input Rating per Burner*			
"WC	mbar	"WC	mbar	Total BTU/Hr	kW	Total BTU/Hr	kW
5	12.45	10	24.9	20,000	5.86	35,000	10.26
				*Used individually and in combination depending on model			

Model Number	Description	Total gas consumption per model		Gross Weight	
		Total BTU/Hr	kW	Lbs.	Kg
TCM24	One infra-red burner	20,000	5.86	115	52.21
TCM36	One infra-red burner	35,000	10.26	172	78.09
TCM48	Two infra-red burners	40,000	11.72	220	99.88
TCM60	Two infra-red burners	55,000	16.12	290	131.66
TCM72	Two infra-red burners	70,000	20.52	350	158.90

NOTE: Add suffix "N" for natural gas, and "L" for propane.

CLEARANCES	Sides	Back
Non Combustible	0"	0"
Combustible	6" (152.4 mm)	6" (152.4 mm)

Dimension "A"		
Model Number	inches	mm
TCM24	24	610
TCM36	36	915
TCM48	48	1219
TCM60	60	1524
TCM72	72	1829

Installation Notes

This product is NOT approved for residential use.
Please advise us of installation over 2000ft. (610m) altitude.
Installation clearance reduction applies only where local codes permit.
All Therma-Tek products are covered by a one year limited parts and labor warranty.
A detailed warranty is included with the appliance or is available upon request.
Installation and/or operation by other than manufacturer's recommendations may void warranty.
Because of continuing product improvement, these specifications are subject to change without notice.



Printed July 2008
Printed in the USA