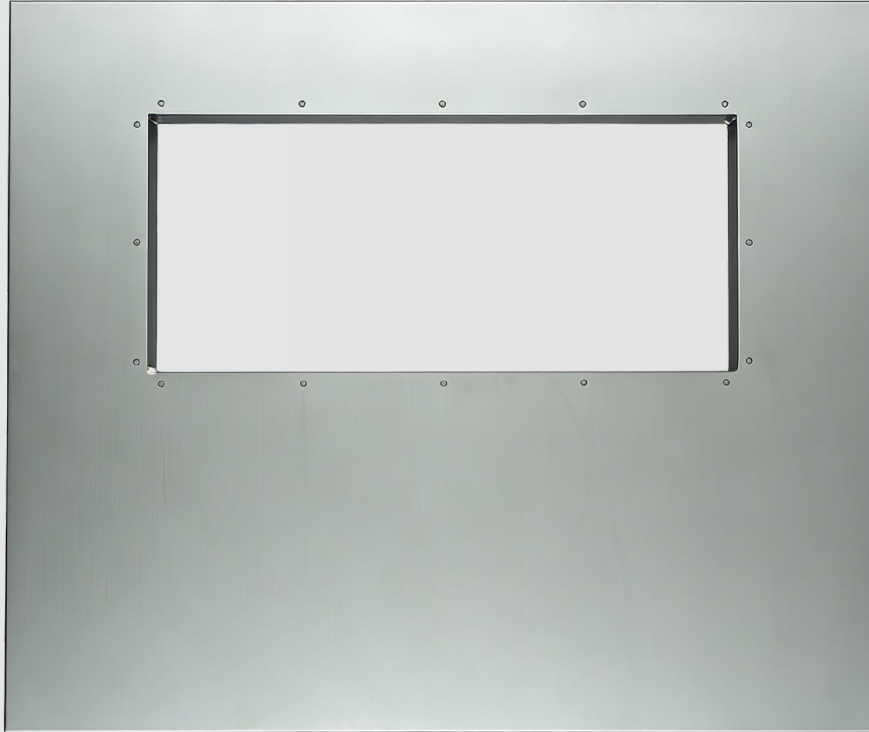


Ice Machine Bin Adapter

Model No.

SWBA22-30



↑
SWBA22-30

➤ Features:

- Adapts to 22" to 30" bins

➤ Warranty Info:

Three Year

- Parts & Labor on adapter.
- Valid in United States.
- Valid for commercial use only.



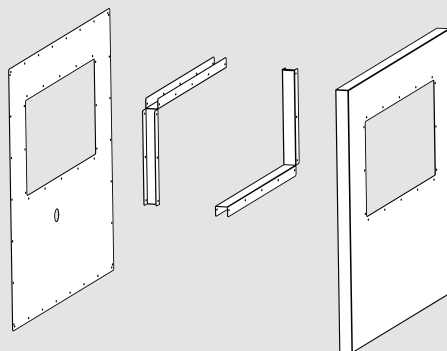
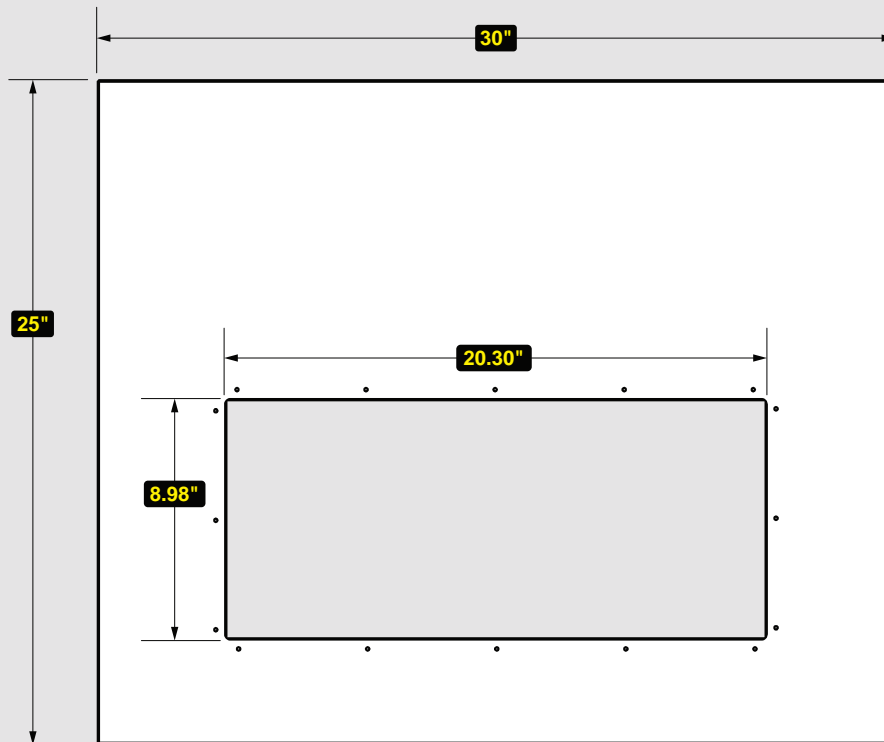
Conforms to UL Standard 471 and NSF Standard 7
Certified to CSA Standard C22.2 No. 120

Revised **01/01/2026**

SWBA22-30

Phone:(800).768.5953
Fax:(800).976.1299

www.servware.com
Copyright © 2026 Serv-Ware Products LLC.



➔ **Technical Information:** _____

MODEL #	DESCRIPTION	DIMENSIONS	WEIGHT/LBS.
		(W x L)	(Shipping)
SWBA22-30	22" to 30" Bin Adaptor	30" W x 25" L	?? lbs.

CONSTRUCTION	
Exterior Material	Stainless Steel
Structure Build	Reinforced Heavy Duty Design