



Simply Engineered Better

Project _____

Item No. _____

Quantity _____

VENTLESS HEAT RECOVERY EXTENDED HOOD-TYPE DOOR MACHINE

MDHHD-VL

VENTLESS HEAT RECOVERY
EXTENDED HOOD-TYPE
DOOR MACHINE



Rendered image is for general visual representation only. Please refer to specifications for the latest detailed product information.

SPECIFIER STATEMENT

Specified unit will be Moyer Diebel model MDHHD-VL with Ventless Heat Recovery and Condensate Removal, high temperature, high-hood type dishwashing machine. Features HMI controls, Rinse Sentry, Auto Start, up to 40 racks/hour, 0.73 US gals/rack [2.76 liters/rack, 0.61 imp. gals/rack].

1 year parts and labor warranty.



STANDARD FEATURES

- **27" Chamber Clearance**
Provides ample space for larger dishware.
- **Energy Star Certified**
Ensures energy efficiency, reducing operational costs.
- **40 Racks Per Hour & 0.73 Gallons Per Rack**
- **Rinse Sentry**
Extends the wash cycle until the booster reaches the optimal sanitization temperature, ensuring a thorough final rinse.
- **Advanced Touchscreen Display**
Intuitive interface with condition alerts, multilingual support, and easy-to-follow cleaning and operational guidance.
- **User-Friendly Visual Diagnostic Display**
Quickly identify and resolve machine faults, minimizing downtime.
- **Programmable Sleep Mode**
Heaters automatically power down after a user-defined period of inactivity, conserving energy.
- **Multi-Power**
Ability to switch between three-phase and single-phase incoming power.
- **Electromechanical Door Lock**
Maximizes energy recovery and minimizes condensation entering the dishroom.
- **Delime Feature**
Automated alerts based on local water quality to ensure proper maintenance.
- **Adjustable Feed Orientation**
Configurable for front load, corner installation, and pass-through setups in field.
- **NSF Dual Rated**
Complies with NSF standards for both stationary rack dish machines and pot-and-pan machines.
- **Auto Start**
Machine starts the selected wash cycle automatically when the door is closed.
- **High Performance 2 HP Wash Pump**
Delivers powerful cleaning performance while maintaining energy efficiency
- **Timer Drain Valve**
Heavy-duty, gear-driven, full-port ball valve made of stainless steel and brass for durability.
- **Four User-Selectable Wash Cycles**
Choose between 1, 2, 4, or 6-minute wash cycles depending on the soil load.
- **Factory Authorized Startup**
- **Vent Fan, Detergent, and Rinse Aid Signal**

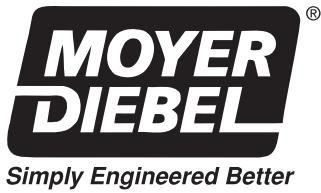
OPTIONS & ACCESSORIES

- Built-in detergent and rinse aid pumps
- Drain water tempering kit (mounted)
- Racks (Peg, Flat, Sheetpan)
- Corner operation splash baffle
- ION scale prevention system
- Built-in booster configured to ensure 180° rinse
- Water hammer kit (unmounted)
- Pumped drain
- Dual point electrical connection

Moyer Diebel – USA

3765 Champion Blvd, Winston-Salem, NC 27105 Tel: 336/661-1992 Fax: 336/661-1979 800/228-8350

www.moyerdiebel.com



SPECIFICATIONS				
Capacities				
Racks per hr. (NSF rated)	40			
Wash tank (gal.)	10			
Motor Horsepower				
	2 HP			
Water Consumption				
Gal. per hr. (max. use)	39			
Gal. per rack	0.73			
Temperature °F				
Wash	150			
Rinse	180			
Heating				
Tank heat, electric	5.2 kW			
Electric Booster	7.5 kW			
	Dish-washer Mode		Pot & Pan Mode	
Selectable cycle times in minutes	1	2	4	6
Time cycles in seconds				
Wash	36	94	214	334
Rinse	8	10	10	10
Sanitary Dwell	16	16	16	16
Vent Fan	30	30	30	30
Total	90	150	270	390

Machine & Built-in Booster (Standard)				
Elec. Specs	Rated Amps	Minimum Supply Ckt. Conductor Ampacity	Maximum Overcurrent Protective Device	
208/60/1	72-81	100	100	
208/60/3	48-50	60	60	
480/60/3	21	30	30	

Machine Only (two point electrical connection or no built-in booster)				
Elec. Specs	Rated Amps	Minimum Supply Ckt. Conductor Ampacity	Maximum Overcurrent Protective Device	
208/60/1	36-39	50	50	
208/60/3	26-27	30	30	
480/60/3	10	15	15	

Booster Only (two point electrical connection or no built-in booster)				
Elec. Specs	Rated Amps	Minimum Supply Ckt. Conductor Ampacity	Maximum Overcurrent Protective Device	
208/60/1	36-42	50	50	
208/60/3	21-28	30	30	
480/60/3	19	15	15	

Note: Water Hammer Arrestor (meeting ASSE-1010 standard or equivalent) to be supplied (by others) in common water supply line at service connection. Recommended water hardness to be 3 grains or less for optimal performance results.

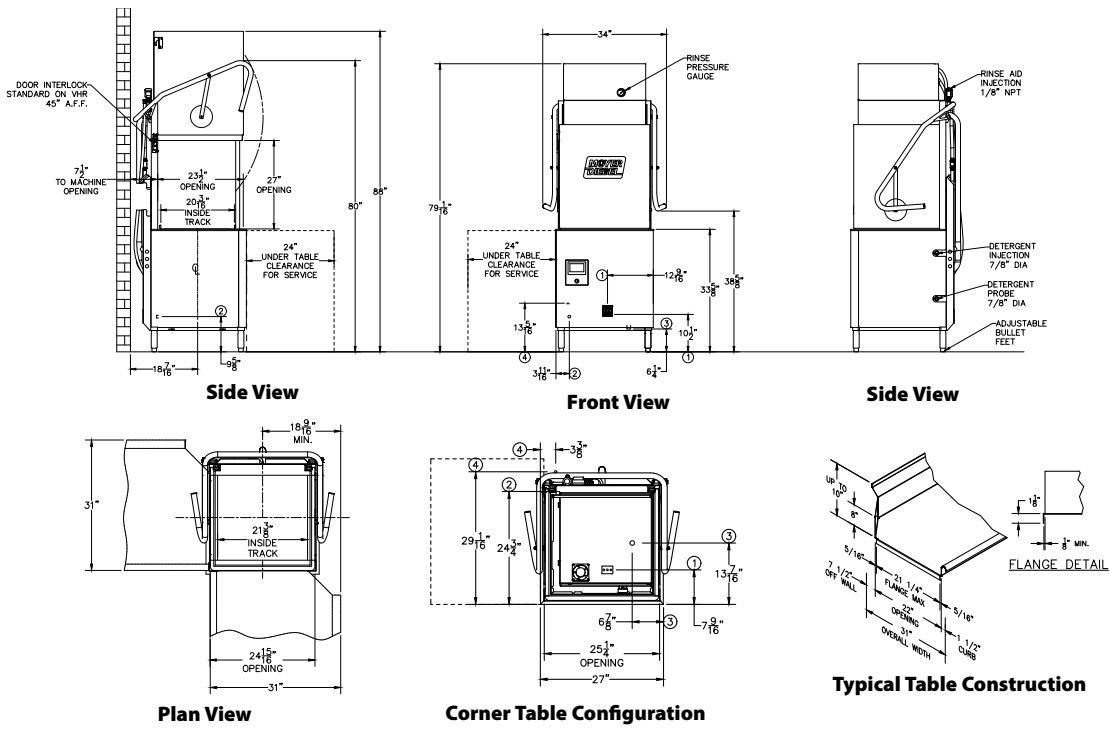
Utilities	
1	Electrical Machine Connection (see electrical box)
2	Cold Water 3/4" NPT Cold Water 50° - 75°F 45 PSI dynamic incoming Final rinse 18 PSI
3	Drain 1" NPT Connection Gravity flow 15 Drain Max Flow Rate (g/min)
4	Drain Water Tempering 1/2" Cold water line with customer supplied cut-off valve (optional)
5	Integrated Detergent System Detergent bottle supply connections (optional)

Warning: Plumbing, electrical connections should be made by qualified personnel who will observe all the applicable plumbing, sanitary and safety codes and the National Electrical Code.

Note: Optional Drain Tempering: 3/4" NPT cold water connection required. 3/4" NPT drain connection from back flow preventer to house drain. (FIELD INSTALLED and PLUMBED).

Shipping weight crated: 300 lbs.

Dimensions shown in inches



Moyer Diebel In the USA: 3765 Champion Blvd, Winston-Salem, NC 27105 Tel: (800) 532-8591 Fax: (336) 661-1979 www.moyerdiebel.com
 Due to an ongoing value analysis program at Moyer Diebel, specifications contained in this catalog are subject to change without notice.

