



Outperform every day.™

**Project:**  
**Item Number:**  
**Quantity:**

Affordable Portable™ Utility Stations

The Vollrath Company, L.L.C.

**AFFORDABLE PORTABLE™ UTILITY STATIONS**



**DESCRIPTION & FEATURES**

- Constructed of vinyl-clad, 20-gauge carbon steel.
- NSF2 buffet or NSF2 cafeteria style acrylic breath guard.
- Available in seven versatile colors.
- Seamless one-piece 20 gauge 300 series stainless steel work surface.
- Locking casters.
- **Affordable Portable™ orders cannot be canceled or returned.**

**Lighting Option**

- Factory-installed option
- Requires Buffet breath guard
- 120V
- Bulbs not included

**WARRANTY**

All models shown come with Vollrath's standard warranty against defects in materials and workmanship. For full warranty details, please refer to [www.Vollrath.com](http://www.Vollrath.com).

Stations with electrical components are UL listed.

Affordable Portable™ Utility Station Shown with NSF2 Buffet Breath Guard

**ITEMS**

Description	Black	Walnut Woodgrain	Cherry Woodgrain	Granite	White	American Natural	Brushed Aluminum
<b>46" Utility Station with NSF2 Buffet Breath Guard – 120V</b>							
Solid Base	38701	38926	38761	38721	38721W	38721N	38721A
Solid Base w/ Lights	3870146	3892646	3876146	3872146	3872146W	3872146N	3872146A
Open Storage Base	38702	38927	38762	38722	38722W	38722N	38722A
Open Storage w/ Lights	3870246	3892746	3876246	3872246	3872246W	3872246N	3872246A
Storage Base w/ Door	38703	38928	38763	38723	38723W	38723N	38723A
Storage w/ Door, w/ Lights	3870346	3892846	3876346	3872346	3872346W	3872346N	3872346A
<b>46" Utility Station with NSF2 Cafeteria Breath Guard – 120V</b>							
Solid Base	39701	39926	39761	39721	39721W	39721N	39721A
Open Storage Base	39702	39927	39762	39722	39722W	39722N	39722A
Storage Base w/ Door	39703	39928	39763	39723	39723W	39723N	39723A
<b>60" Utility Station with NSF2 Buffet Breath Guard – 120V</b>							
Solid Base	38704	38930	38764	38724	38724W	38724N	38724A
Solid Base w/ Lights	3870460	3893060	3876460	3872460	3872460W	3872460N	3872460A
Open Storage Base	38705	38931	38765	38725	38725W	38725N	38725A
Open Storage w/ Lights	3870560	3893160	3876560	3872560	3872560W	3872560N	3872560A
Storage Base w/ Door	38706	38932	38766	38726	38726W	38726N	38726A
Storage w/ Door, w/ Lights	3870660	3893260	3876660	3872660	3872660W	3872660N	3872660A
<b>60" Utility Station with NSF2 Cafeteria Breath Guard – 120V</b>							
Solid Base	39704	39930	39764	39724	39724W	39724N	39724A
Open Storage Base	39705	39931	39765	39725	39725W	39725N	39725A
Storage Base w/ Door	39706	39932	39766	39726	39726W	39726N	39726A

Approvals	Date

Due to continued product improvement, please consult [www.vollrath.com](http://www.vollrath.com) for current product specifications.



Outperform every day.™

[www.vollrath.com](http://www.vollrath.com)

**The Vollrath Company, L.L.C.**

1236 North 18th Street  
Sheboygan, WI 53081-3201 U.S.A.  
Main Tel: 800.624.2051 or 920.457.4851  
Main Fax: 800.752.5620 or 920.459.6573  
Customer Service: 800.628.0830  
Canada Customer Service: 800.695.8560

Technical Services  
[techservicereps@vollrathco.com](mailto:techservicereps@vollrathco.com)  
Induction Products: 800.825.6036  
Countertop Warming Products: 800.354.1970  
All Other Products: 800.628.0832

# AFFORDABLE PORTABLE™ UTILITY STATIONS

## ACCESSORIES AND ADD-ONS

### Tray Slides

- 39924 Fits 24" (61 cm)
- 39946 Fits 46" (117 cm)
- 39960 Fits 60" (152 cm)



- 300 Series stainless steel
- Fold-down mounting brackets
- 11" (27.9) tray area
- 11½" (29.2) depth
- Adds 5½" (14 cm) to depth in folded position
- Add NF in front of the item number for non-folding mode

### Cutting Boards

- 39824 Fits 24" (61 cm)
- 39846 Fits 46" (117 cm)
- 39860 Fits 60" (152 cm)



- Polyethylene
- Fold-down mounting brackets
- 7" (17.8 cm) depth
- Add 4" (10.2 cm) to depth in folded position

### Infrared Lamp Bulbs

- 72242 White, 250W, 1 Dozen
- 72241 Red, 250W, 1 Dozen

### Plate Rests

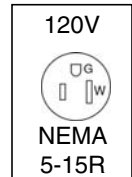
- 38992 Fits 24" (61 cm)
- 38993 Fits 46" (117 cm)
- 38994 Fits 60" (152 cm)



- Stainless steel
- Fold-down mounting brackets
- 7" (17.8 cm) depth
- Adds 4½" (11.4 cm) to depth in folded position
- Add NF in front of the item number for non-folding model

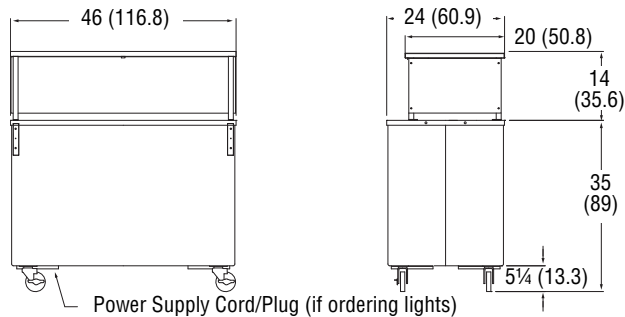
## ELECTRICAL SPECIFICATIONS

Description	With Incandescent Lamps (250W maximum per fixture)			
	Volts	Hz	Amps	Electrical Service (A)
46" Utility Station	120	60	6.0	15
60" Utility Station			8.0	

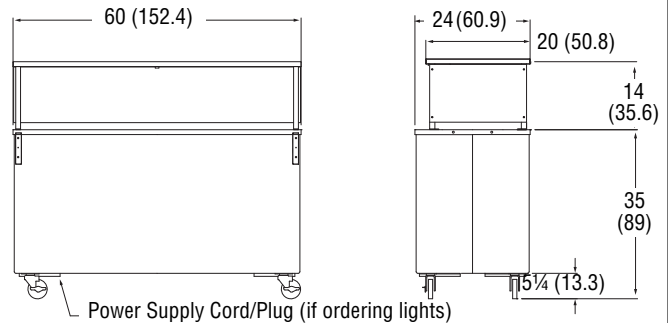


## DIMENSIONS (Shown in inches (cm))

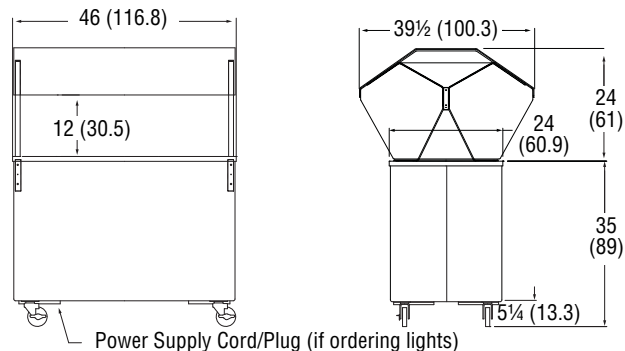
### 46" Utility Station with NSF2 Cafeteria Breath Guard



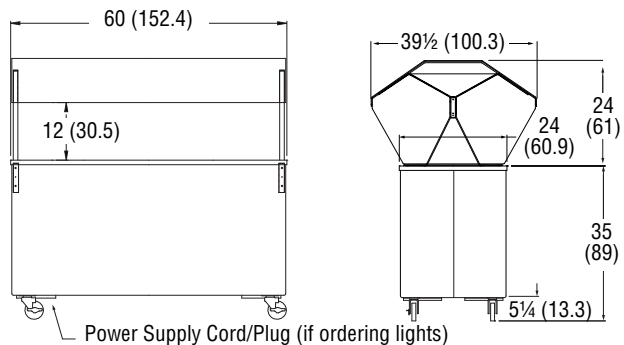
### 60" Utility Station with NSF2 Cafeteria Breath Guard



### 46" Utility Station with NSF2 Buffet Breath Guard



### 60" Utility Station with NSF2 Buffet Breath Guard



**3 Well Storage Opening:** 36 x 23 x 16½ (91.5 x 58 x 42)

**4 Well Storage Opening:** 50 x 23 x 16½ (127 x 58 x 42)



Outperform every day.™

[www.vollrath.com](http://www.vollrath.com)

### The Vollrath Company, L.L.C.

1236 North 18th Street  
 Sheboygan, WI 53081-3201 U.S.A.  
 Main Tel: 800.624.2051 or 920.457.4851  
 Main Fax: 800.752.5620 or 920.459.6573  
 Customer Service: 800.628.0830  
 Canada Customer Service: 800.695.8560

Technical Services  
[techservicereps@vollrathco.com](mailto:techservicereps@vollrathco.com)  
 Induction Products: 800.825.6036  
 Countertop Warming Products: 800.354.1970  
 All Other Products: 800.628.0832