

| | |
|-----------------------|----------------|
| Item: _____ | Model #: _____ |
| Quantity (Qty): _____ | Project: _____ |

Stand with Legs Restaurant

ESL 18" | ESL 24" | ESL 36" | ESL 48" | ESL 60" | ESL 72"



ESL 24"

Venâncio Professional **Stand with Legs** were developed to meet the diverse needs of everyday life in the kitchen, combined with a high standard of quality and durability, seeking to meet the needs of a professional kitchen.

STANDARD FEATURE

- Available in widths of 18" (458mm), 24" (610mm), 36" (915mm), 48" (1220mm), 60" (1525mm) and 72" (1830mm).
- Fully welded structure ensuring stability, resistance and durability.
- Tubular structure in stainless steel.
- Stainless steel base, panel and sides.
- Lower base adjustment.
- 6" (152mm) highly polished chrome adjustable steel legs.

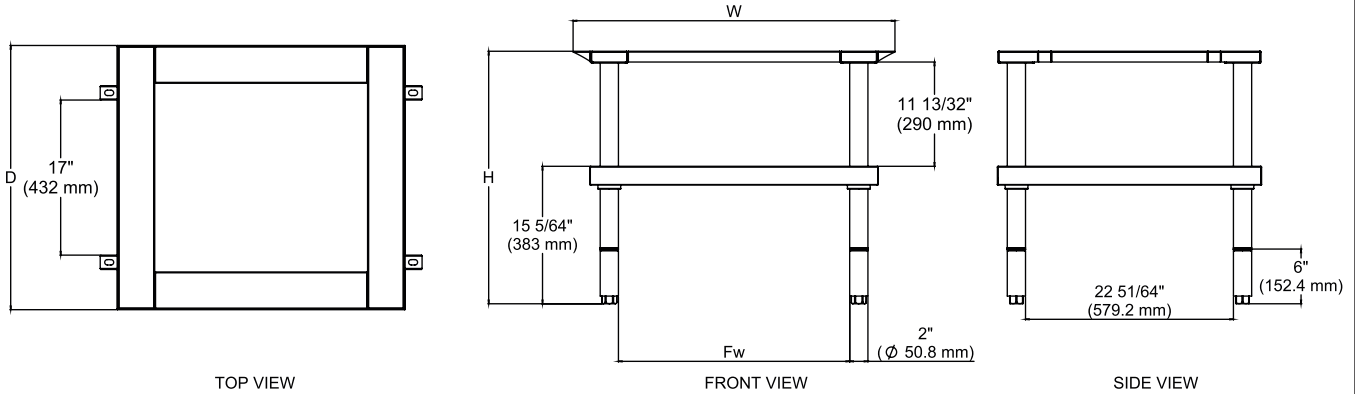
AREA FOR CONSULTANT / CONTRACTOR:

OPTIONS & ACCESSORIES

- Product installation kit (1/2" x 2" screws and 1/2" washers).
- Kit of castors 6" (152mm).

Stand with Legs Restaurant

ESL 18" | ESL 24" | ESL 36" | ESL 48" | ESL 60" | ESL 72"



| Models | Exterior Product Dimensions & Weight | | | | | Shipping Crate Dimension & Weight | | | |
|--------|--------------------------------------|------------------|----------------------|----------------------------|----------------|-----------------------------------|-------------------|-------------------|-----------------|
| | Width (W) | Depth (D) | Height (H) | Fw | Weight | Width | Depth | Height | Weight |
| ESL 18 | 17 9/32" (439 mm) | 29 1/8" (740 mm) | 27 11/16" (703.4 mm) | 7 23/64" (187 mm) | 42 lb (19 kg) | 20 5/64" (510 mm) | 35 9/32" (896 mm) | 11 3/16" (284 mm) | 73 lb (33 kg) |
| ESL 24 | 23 5/16" (592 mm) | | | 13 11/32" (339 mm) | 49 lb (22 kg) | 29 21/64" (745 mm) | | | 80 lb (36 kg) |
| ESL 36 | 35 5/16" (897 mm) | | | 25 23/32" (644 mm) | 58 lb (26 kg) | 38 5/64" (967 mm) | | | 108 lb (49 kg) |
| ESL 48 | 47 21/64" (1202 mm) | | | 37 23/64" (949 mm) | 69 lb (31 kg) | 50 5/64" (1272 mm) | | | 130 lb (59 kg) |
| ESL 60 | 59 21/64" (1507 mm) | | | 2 x 23 45/64" (2 x 602 mm) | 93 lb (42 kg) | 62 3/32" (1577 mm) | | | 216 lb (98 kg) |
| ESL 72 | 71 11/32" (1812 mm) | | | 2 x 29 11/16" (2 x 754 mm) | 104 lb (47 kg) | 74 3/32" (1882 mm) | | | 258 lb (117 kg) |

UTILITY INFORMATION

- To assemble the Venâncio Professional table product on Stand With Legs (ESL), it is necessary to remove the product foot from the table and position the product on the easel that fixes without fasteners with the product installation kit.
- The bottom base must not be removed from the stand with, because in addition to being useful for storing condiments, it has the functionality of supporting the structure.
- In the lower base it is possible to adjust the height of the same as the client needs.
- The installation of the Stand With together with the installation of the table product must be performed by a trained professional.
- Total warranty of 12 months, with 03 months of legal guarantee, plus 09 months extended.

CLEARANCES REQUIREMENTS

- Combustible and non-combustible surfaces: there is no need for distance on the sides and rear.
- Consult spacing requirements for table products installed on the stand with.

MISCELANEOUS

- Install under Venâncio Professional countertop product.
- Before carrying out the installation, consult the manual.
- Intended for commercial use only. Not for household use.

Stand with Legs Restaurant