

Blueair by
BLUENIX

MODEL BNB-72BT-HC NARROW BACK BAR



Stainless steel cabinet construction

Stainless steel top with black vinyl coated steel walled exterior. Interior is galvanized steel with stainless steel floor..



Temperature range between 33°F ~ 39°F

Air guard on rear wall ensures proper air circulation and cooling.



Hydrocarbon refrigerants (R-290)

Increases energy HFC refrigerants. It is safer for the environment and does not cause ozone depletion.



Exterior Dimensions (inches/mm)

L	D	H
72 1/4" 1835 mm	23 7/8" 608 mm	35 3/8" 900 mm

Weight (lbs/kg)

Net Weight 249 lbs 112 kg	Ship Weight 271 lbs 122 kg
---------------------------------	----------------------------------



Conforms to NSF/ANSI 7(ETL)

Cabinet construction

- High density foamed in place polyurethane insulation – Environmentally safe.
- Two (2) adjustable shelves per section
- Interior height allows stacking of three "tall boy" beers
- 24" narrow depth

Refrigeration

- Front breathing, side mounted compressor unit. Compressor configuration allows unit to be efficient in narrow spaces and be serviced without being moved.
- Epoxy coated evaporator reduces potential corrosion
- Innovative hot gas frame heating system reduces condensation and increases energy efficiency.
- Automatic defrosting

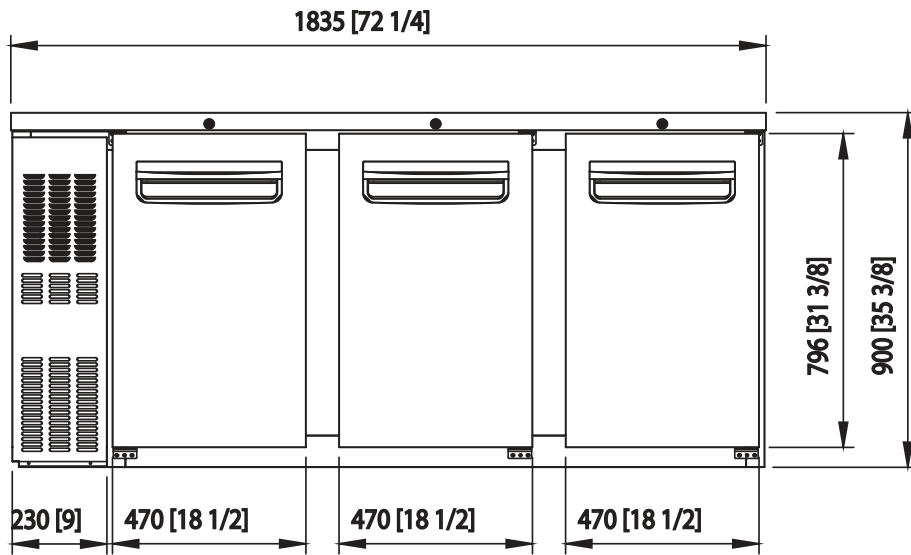
Doors

- Black recessed door handles
- Durable gasket with easy replacement.
- Standard door locks

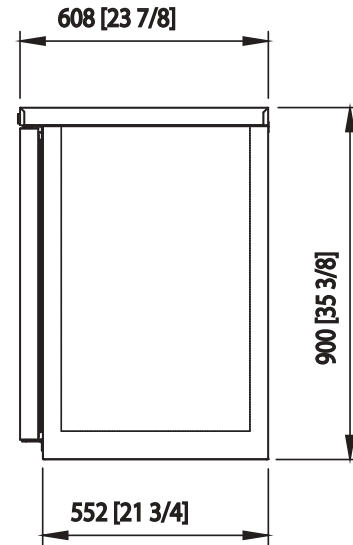
Optional Features & Accessories

- 6" legs available
- 6" caster available

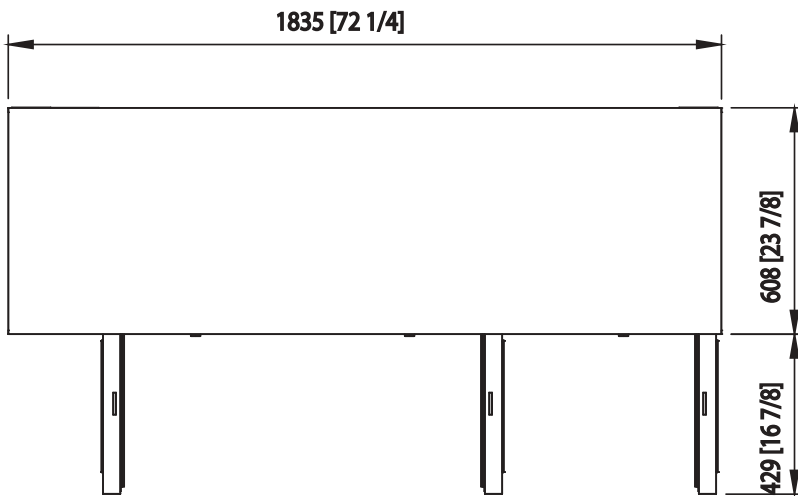
Front view



Side view



Top view



Doors	3
Capacity Cu.Ft.	19.6
Shelves	6
Refrigerant	R-290
Temperature Range	33°F ~ 39°F
Easy Maintenance	Sliding Condensing Unit
Connection	9.8 ft long (3m) flexible three wire cord with modeled plug
HP	3/8
Voltage	115V/60Hz
Amps	3.5
NEMA Config.	NEMA 5-15
Lighting	Interior LED lighting



- This product may expose you to chemicals including Diisononyl Phthalate(DINP), which is known to the State of California to cause cancer. For more information go to www.P65Warnings.ca.gov.
 - Ce produit peut vous exposer à des agents chimiques incluant le Diisononyl Phthalate(DINP), reconnu par l'Etat de Californie comme causant le cancer, Pour de plus amples renseignements, consulter le site www.P65Warnings.ca.gov.

Blueair by
BLUENIX

Blue Air has right to change specifications without further notice.



blueairfse.com



orders@blueairfse.com



223 W. Rosecrans Ave., CA 90248
 T: 310-808-0102

9 W. Shelton Terrace #A, Hillside, NJ 07205
 T: 470-625-0182

7025 Amwiler industrial Drive, Suite A, Atlanta GA
 T: 908-688-0970