



SERVING THE FOOD INDUSTRY SINCE 1951

Undercounter Refrigerators

ITEM: 50054
MODEL: RE-CN-0006-HC

50056
RE-CN-0011-HC

50093
RE-CN-0015-HC

50091
RE-CN-0016-HC



The Ultimate Ice Cream Display Chest Freezer

This ice cream chest freezer combines functionality and user convenience. Making it a reliable solution for all your frozen storage needs. Whether you're a business owner looking to expand your frozen product offerings or a household seeking extra frozen space, this appliance is designed to deliver optimal performance and preserve the quality of your frozen goods.

- High COP compressor & Non-cfc refrigerant
- D-type evaporating pipe
- Unique door design for better sealing
- Tempered & Low-e sliding glass doors
- Pre-coated steel plate inner tank
- Suitable for various baskets
- Aluminum alloy+ PVC cabinet frame
- 4 Universal casters (2 with brake)
- Interior LED lighting

Telephone: 1-800-465-0234

Fax: (905) 607-0234

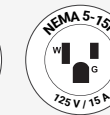
Email: sales@omcan.com

Website: www.omcan.com



Authorized Dealer

Made in China

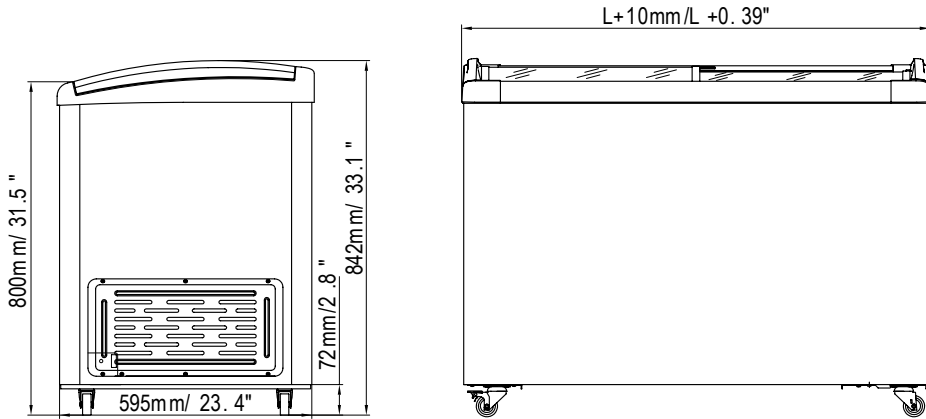


TECHNICAL SPECIFICATION

	47751	47752	47753	47754
Model	FR-CN-0176	FR-CN-0266	FR-CN-0296	FR-CN-0366
Net Capacity	117 L / 4.1 cu.ft.	190 L / 6.7 cu.ft.	214 L / 7.6 cu.ft.	263 L / 9.3 cu.ft.
Power	210W	265W	270W	270W
Temperature Range	-12°C ~ -24°C	-12°C ~ -24°C	-12°C ~ -24°C	-12°C ~ -24°C
Number of Baskets	3	4	5	6
Defrost	Manual			
Electrical	110 - 120V / 60Hz / 1Ph			
Refrigerant	R290			
Door Panel	LOW-E + Tempered			
Door Type/ Color	Sliding / Black			
Lock	Yes			
Inside Walls	Embossed Aluminum			
Thermostat	Mechanical Adjustment			
Interior LED Light	Yes			
Casters	4 casters (2 with brake)			
Net Dimensions (WDH)	30.8" x 24" x 33" 781 x 610 x 838 mm	43.5" x 24" x 33" 1105 x 610 x 838 mm	47.81" x 24" x 33" 1214 x 610 x 838 mm	56.5" x 24" x 33" 1435 x 610 x 838 mm
Gross Dimensions (WDH)	32.5" x 25.8" x 34.3" 826 x 655 x 872 mm	45.3" x 25.8" x 34.3" 1151 x 655 x 872 mm	49.6" x 25.8" x 34.3" 1260 x 655 x 872 mm	58.3" x 25.8" x 34.3" 1482 x 655 x 872 mm
Net Weight	207.2 lbs/ 94 kg	255.7 lbs/ 116 kg	280 lbs/ 127 kg	324.1 lbs/ 147 kg
Gross Weight	235.9 lbs/ 107 kg	291 lbs/ 132 kg	315.3 lbs/ 143 kg	363.8 lbs/ 165 kg

*Dimensions rounded up to the nearest tenth inch or millimeter.
Specifications subject to change without notice.*

TECHNICAL DRAWING



Item Number	L (Body width)	A (inner width)
47751	770mm/30.3"	649mm/25.6"
47752	1095mm/43.1"	974mm/38.3"
47753	1205mm/47.4"	1084mm/42.7"
47754	1425mm/56.1"	1304mm/51.3"

