



Item: \_\_\_\_\_

Quantity: \_\_\_\_\_

Project: \_\_\_\_\_

## Royal Series

Models:  RCB-18    RCB-24    RCB-30    RCB-36    RCB-48    RCB-60



RCB-36

Gas Type:  Natural    LP

Elevation (if above 2000 ft.): \_\_\_\_\_

### Options and Accessories

- Diamond grate
- Stainless Steel Equipment Stand
  - Knock Down    All Welded

#### Size

- 18"    24"    30"    36"    48"    60"    72"
- 5" swivel casters (set of four - 2 locking)
- 5" swivel casters (set of six - 3 locking) (60" and 72" stands)

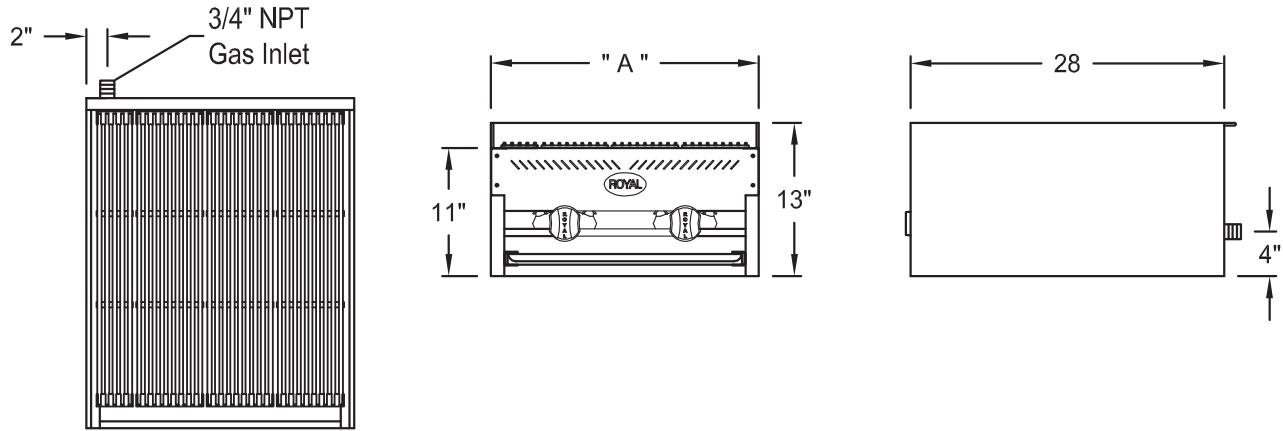
### Standard Features

- Easily removable and replaceable independent firebox assembly
- Full width, removable stainless steel crumb pan for easy cleaning
- Compact heavy gauge chassis for long life
- Stainless steel sides and front valve cover
- Double wall panels for cooler sides
- All welded 14 gauge fire box supports char rock grates
- "H" type cast iron burner rated at 40,000 BTU/hr each
- Individually adjustable burners with manual controls
- Heavy duty cast iron bottom grates
- Cast iron top grates in flat or incline position
- Stainless steel tubing for pilots



**LIMITED WARRANTY, TWO YEAR PARTS AND ONE YEAR LABOR**

# Heavy Duty Char Rock Broiler



| Model Number | Width (A) | Number of Burners | Total BTU | Ship Weight |
|--------------|-----------|-------------------|-----------|-------------|
| RCB-18       | 18"       | 1                 | 40,000    | 240 lbs.    |
| RCB-24       | 24"       | 2                 | 80,000    | 262 lbs.    |
| RCB-30       | 30"       | 3                 | 120,000   | 309 lbs.    |
| RCB-36       | 36"       | 3                 | 120,000   | 383 lbs.    |
| RCB-48       | 48"       | 4                 | 160,000   | 441 lbs.    |
| RCB-60       | 60"       | 5                 | 200,000   | 498 lbs.    |

### Gas Connection:

3/4" NPT on the right hand rear of the appliance.  
The pressure regulator (supplied) is to be connected by the installer.

Specify type of gas and altitude, if over 2,000 feet, when ordering.

### Gas Pressure:

|          |             |
|----------|-------------|
| 5" W.C.  | Natural Gas |
| 10" W.C. | Propane     |

Clearances: For installation in non combustible locations only

|       | Combustible | Non-Combustible |
|-------|-------------|-----------------|
| Rear  | N/A         | 0"              |
| Sides | N/A         | 0"              |

Due to continuing product development to ensure best possible performance, these specifications are subject to change without prior notification.

**Royal Range of California**  
 3245 Corridor Dr. • Eastvale, CA 91752 • (800) 769-2414 • (951) 360-1600  
 Fax: (951) 360-7500 • www.royalranges.com • sales@royalranges.com