



Item: \_\_\_\_\_  
 Quantity: \_\_\_\_\_  
 Project: \_\_\_\_\_

## Royal Series

**Models:**  RR-36-LB  RR-36-LB-C  RR-36-DS  RR-36-DS-C\*  RR-36-DS-CC



*RR-36-DS-C shown with optional casters*



*RR-36-LB shown with optional casters*

Gas Type:  Natural  LP

Elevation (if above 2000 ft.): \_\_\_\_\_

\*Convection Oven:  Top  Bottom  
 (For RR-36-DS-C only)

### Standard Features

- Frame constructed of heavy gauge metal solidly welded
- Stainless steel front, sides, top and kick plate
- Oven contact surfaces have porcelain finish for easy maintenance
- Five position heavy gauge chrome rack guides
- One chrome rack per oven
- Oven safety valve provides 100% shut down if pilot flame goes out
- Piezo type, push button (matchless) ignition to light the standing pilot on the oven
- Stainless Steel Oven "U" shaped burner provides 35,000 BTU/hr for consistent heating

### Options and Accessories

- Additional oven rack
- 5" swivel casters (set of four - 2 locking)
- Seismic flanged feet

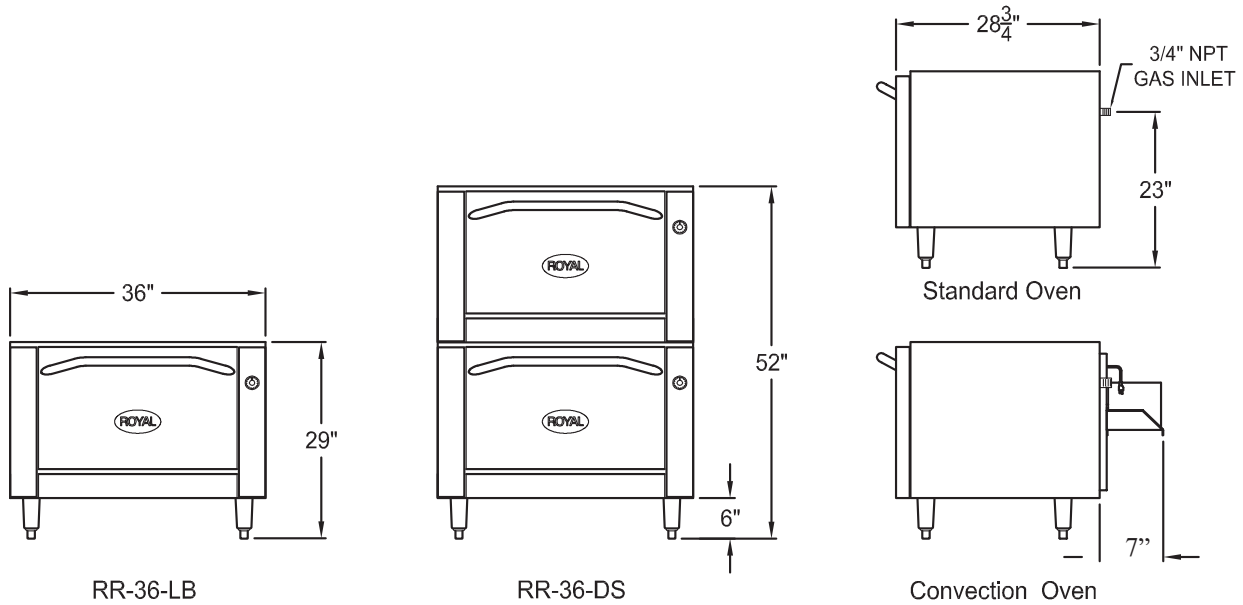
### Convection Oven Features

- Stainless Steel 30,000 BTU/hr "U" burner with automatic ignition
- 3 heavy duty chrome plated racks with 5 position adjustment
- Cook and cool switch
- 2 speed (HI/LO) fan switch
- Thermostat adjustable from 150° to 500° F
- One hour manual timer



**LIMITED WARRANTY, TWO YEAR PARTS AND ONE YEAR LABOR**

# Single and Double Deck Ovens



Model Number	Height	Oven Burners	Total BTU	Ship Weight
RR-36-LB	29"	1 <sup>1</sup>	35,000	185 lbs.
RR-36-LB-C	29"	1 <sup>2</sup>	30,000	205 lbs.
RR-36-DS	52"	2 <sup>1</sup>	70,000	373 lbs.
RR-36-DS-C	52"	2 <sup>1/2</sup>	65,000	390 lbs.
RR-36-DS-CC	52"	2 <sup>2</sup>	60,000	405 lbs.

**Notes:**

- Standard Stainless Steel "U" Oven burner is rated at 35,000 BTU/hr
- Convection Stainless Steel "U" Oven burner is rated at 30,000 BTU/hr
  - LB-C is a single Convection Oven
  - DS-C is a Standard Oven stacked with a Convection Oven, specify which is on top
  - DS-CC is a double Convection Oven stacked

**Gas Connection:**

3/4" NPT on the right hand rear of the appliance.  
 The pressure regulator (supplied) is to be connected by the installer.  
 Specify type of gas and altitude, if over 2,000 feet, when ordering.

**Electrical Requirements:**

Convection Oven: 120 V, 50/60hz, 1 Ph., 8 amps  
 Two speed motor (1725/1140 RPM) 1/2 HP  
 Provided with 6' power cord fitted with a standard three prong grounded plug.

**Gas Pressure:**

5" W.C.	Natural Gas
10" W.C.	Propane

**Clearances:**

	Combustible	Non-Combustible
Rear	4"	0"
Sides	15"	0"

Due to continuing product development to ensure best possible performance, these specifications are subject to change without prior notification.

**Royal Range of California**  
 3245 Corridor Dr. • Eastvale, CA 91752 • (800) 769-2414 • (951) 360-1600  
 Fax: (951) 360-7500 • www.royalranges.com • sales@royalranges.com