



Item: _____

Quantity: _____

Project: _____

Royal Series

Models: RSCB-12 RSCB-18 RSCB-24 RSCB-36 RSCB-48



RSCB-36

Gas Type: Natural LP

Elevation (if above 2000 ft.): _____

Standard Features

- Easily removable and replaceable independent firebox assembly
- Full width, removable stainless steel crumb pan for easy cleaning
- 21" cooking surface
- Compact heavy gauge chassis for long life
- Stainless steel sides and front valve cover
- Double wall panels for cooler sides
- All welded 14 gauge fire box supports char rock grates
- "H" type cast iron burner rated at 35,000 BTU/hr each
- Individually adjustable burners with manual controls
- Heavy duty cast iron top and bottom grates
- Cast iron top grates in flat or incline position
- Stainless steel tubing for pilots

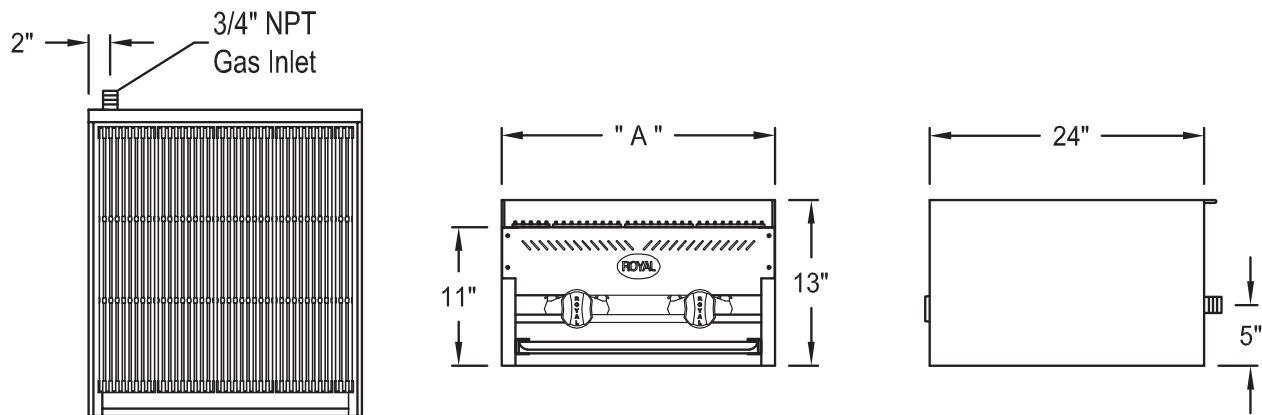
Options and Accessories

- Stainless Steel Equipment Stand
 - Knock Down All Welded
 - Size
 - 18" 24" 30" 36" 48" 60" 72"
 - 5" swivel casters (set of four - 2 locking)
 - 5" swivel casters (set of six - 3 locking) (60" and 72" stands)



LIMITED WARRANTY, TWO YEAR PARTS AND ONE YEAR LABOR

Snack Char Rock Broiler



Model Number	Width (A)	Number of Burners	Total BTU	Ship Weight
RSCB-12	12"	1	35,000	113 lbs.
RSCB-18	18"	1	35,000	135 lbs.
RSCB-24	24"	2	70,000	160 lbs.
RSCB-36	36"	3	105,000	268 lbs.
RSCB-48	48"	4	140,000	395 lbs.

Gas Connection:

3/4" NPT on the right hand rear of the appliance.
The pressure regulator (supplied) is to be connected by the installer.

Gas Pressure:

5" W.C.	Natural Gas
10" W.C.	Propane

Clearances: For installation in non combustible locations only

	Combustible	Non-Combustible
Rear	N/A	0"
Sides	N/A	0"

Specify type of gas and altitude, if over 2,000 feet, when ordering.

Due to continuing product development to ensure best possible performance, these specifications are subject to change without prior notification.

Royal Range of California
3245 Corridor Dr. • Eastvale, CA 91752 • (800) 769-2414 • (951) 360-1600
Fax: (951) 360-7500 • www.royalranges.com • sales@royalranges.com