



Item: _____

Quantity: _____

Project: _____

Royal Series

Models:	<input type="checkbox"/> RSS-12HD	<input type="checkbox"/> RSS-18HD	<input type="checkbox"/> RSS-24HD	<input type="checkbox"/> RSS-30HD
	<input type="checkbox"/> RSS-36HD	<input type="checkbox"/> RSS-48HD	<input type="checkbox"/> RSS-60HD	<input type="checkbox"/> RSS-72HD



RSS-36HD with optional casters

Standard Features

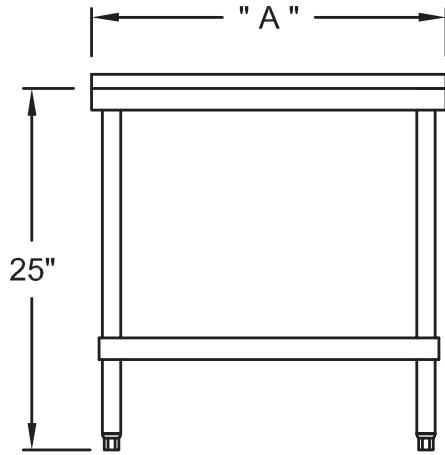
- Heavy duty stainless steel construction
- Knock down design for easier shipping and field assembly
- Stainless steel undershelf
- One year limited warranty, parts and labor

Options and Accessories

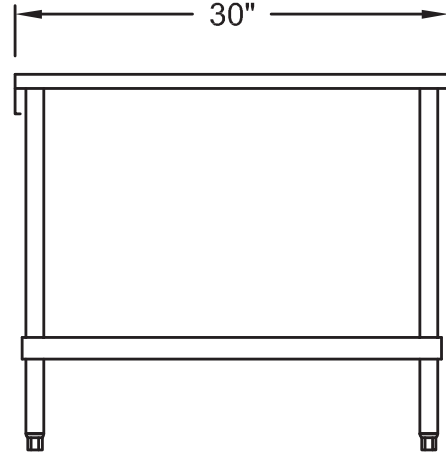
- All welded construction
- 5" swivel casters (set of four - 2 locking) (12"-48" models)
- 5" swivel casters (set of six - 3 locking) (60" and 72" models)



Heavy Duty Stainless Steel Equipment Stands



FRONT VIEW



SIDE VIEW

Model Number	Width (A)	Ship Weight
RSS-12HD	12-1/2"	40 lbs.
RSS-18HD	18-1/2"	50 lbs.
RSS-24HD	24-1/2"	60 lbs.
RSS-30HD	30-1/2"	70 lbs.
RSS-36HD	36-1/2"	80 lbs.
RSS-48HD	48-1/2"	90 lbs.
RSS-60HD	60-1/2"	105 lbs.
RSS-72HD	72-1/2"	122 lbs.

Due to continuing product development to ensure best possible performance, these specifications are subject to change without prior notification.

Royal Range of California
 3245 Corridor Dr. • Eastvale, CA 91752 • (800) 769-2414 • (951) 360-1600
 Fax: (951) 360-7500 • www.royalranges.com • sales@royalranges.com