



Item: _____

Quantity: _____

Project: _____

Range Match Spreader

Royal Series

Models: RR-12SPR RR-18SPR RR-24SPR RR-36SPR



RR-12SPR with optional casters

Standard Features

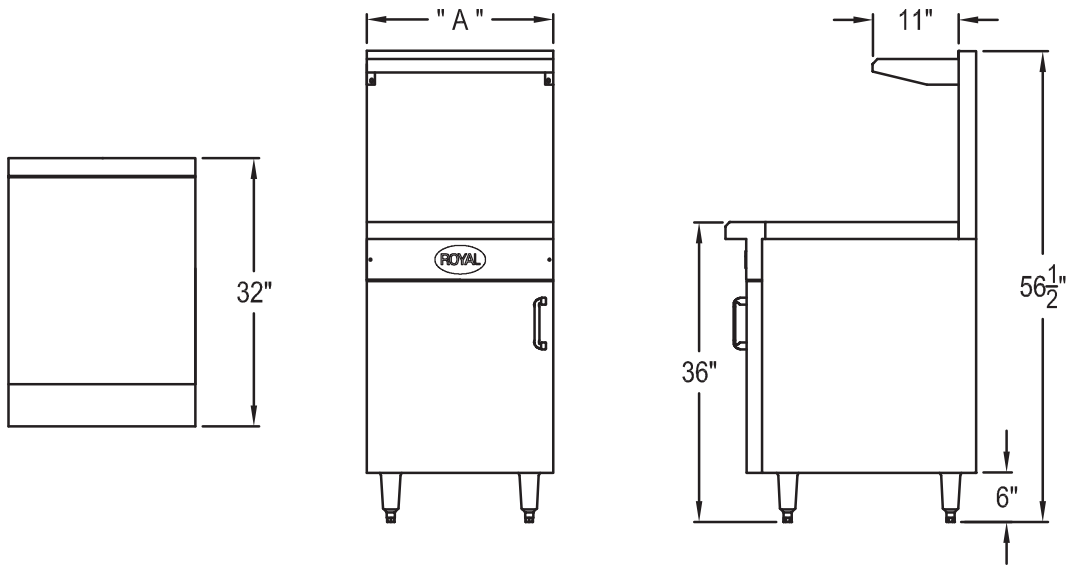
- Stainless steel work surface spreader
- Stainless steel front and sides including backguard and high shelf
- 6" legs
- Limited one year parts and labor warranty
- Cabinet door

Options and Accessories

- 5" swivel casters (set of four - 2 locking)
- 6" high stub back in lieu of high shelf
- Intermediate shelf in cabinet



Range Match Spreader



Model Number	Width (A)	Ship Weight
RR-12SPR	12"	150 lbs.
RR-18SPR	18"	160 lbs.
RR-24SPR	24"	195 lbs.
RR-36SPR	36"	210 lbs.

Due to continuing product development to ensure best possible performance, these specifications are subject to change without prior notification.

Royal Range of California
 3245 Corridor Dr. • Eastvale, CA 91752 • (800) 769-2414 • (951) 360-1600
 Fax: (951) 360-7500 • www.royalranges.com • sales@royalranges.com