



Item: _____

Quantity: _____

Project: _____

Steakhouse Broiler Adjustable Incline Top

Royal Series

Models: RARB-24 RARB-36 RARB-48 RARB-60 RARB-72



RARB-36

Gas Type: Natural LP

Elevation (if above 2000 ft.): _____

Standard Features

- Easily removable and replaceable independent firebox assembly
- Full width, removable stainless steel crumb pan for easy cleaning
- Double wall panels for cooler sides
- Stainless steel sides, front valve cover and ledge
- All burners individually controlled by manual valves
- Heavy duty cast iron top grates
- Stainless steel burners rated at 20,000 BTU/hr each
- 5 position cooking grate tilt adjustment with easy grip lever handle
- Standing pilots for instant safe ignition for each burner
- Varying cook surface temperature gradients front to back, depending on tilt position
- Stainless steel tubing for pilots
- 24" deep cooking surface

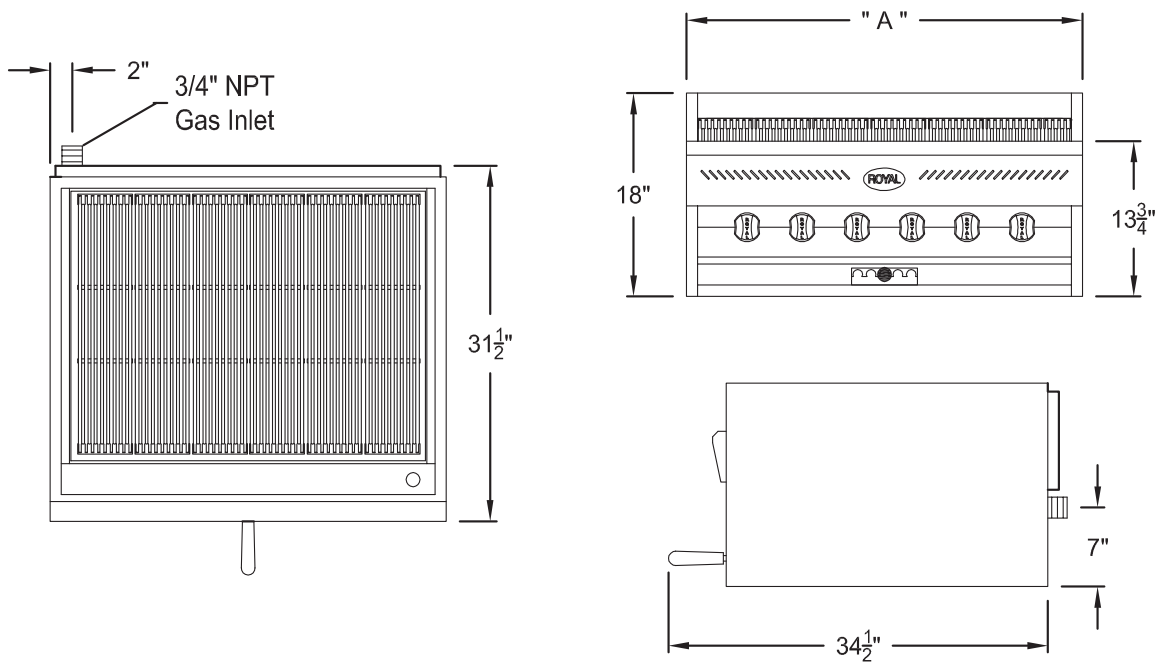
Options and Accessories

- Diamond grate
 - Reversible grate with trough
 - 8" deep S/S plate shelf with or without sauce pan cut-out(s)
 - Stainless Steel Equipment Stand
 - Knock Down All Welded
- Size
- 24" 36" 48" 60" 72"
 - 5" swivel casters (set of four - 2 locking)
 - 5" swivel casters (set of six - 3 locking) (60" and 72" models)



LIMITED WARRANTY, TWO YEAR PARTS AND ONE YEAR LABOR

Steakhouse Broiler Adjustable Incline Top



Model Number	Width (A)	Number of Burners	Total BTU	Ship Weight
RARB-24	24"	4	80,000	275 lbs.
RARB-36	36"	6	120,000	375 lbs.
RARB-48	48"	8	160,000	410 lbs.
RARB-60	60"	10	200,000	525 lbs.
RARB-72	72"	12	240,000	600 lbs.

Gas Connection:

3/4" NPT on the right hand rear of the appliance.

The pressure regulator (supplied) is to be connected by the installer.

Gas Pressure:

5" W.C.	Natural Gas
10" W.C.	Propane

Clearances: For installation in non combustible location only

	Combustible	Non-Combustible
Rear	N/A	0"
Sides	N/A	0"

Specify type of gas and altitude, if over 2,000 feet, when ordering.

Due to continuing product development to ensure best possible performance, these specifications are subject to change without prior notification.

Royal Range of California

3245 Corridor Dr. • Eastvale, CA 91752 • (800) 769-2414 • (951) 360-1600
 Fax: (951) 360-7500 • www.royalranges.com • sales@royalranges.com