



Item: _____

Quantity: _____

Project: _____

Infrared Radiant Broiler

Delux Series

Models: TB-315 TB-321 TB-325 TB-330 TB-336



TB-336

Gas Type: Natural LP

Elevation (if above 2000 ft.): _____

Standard Features

- Fully welded frame with lifetime warranty
- 1,200°F mineral wool insulation
- Heavy cast iron burners at 11,000 BTU/ph each
- Easily removable, heavy gauge welded stainless steel radiants produces infrared rays for superior heat and even cooking
- Individual burner controls every 6"
- Easily removable and replaceable independent firebox assembly on broiler
- Full width, removable stainless steel crumb pan for easy cleaning
- Stainless steel sides, front valve cover and ledge
- Heavy duty cast iron reversible top grates
- Standing pilots for instant safe ignition
- Stainless steel tubing for burners and pilots
- 4" high adjustable, heavy duty legs included

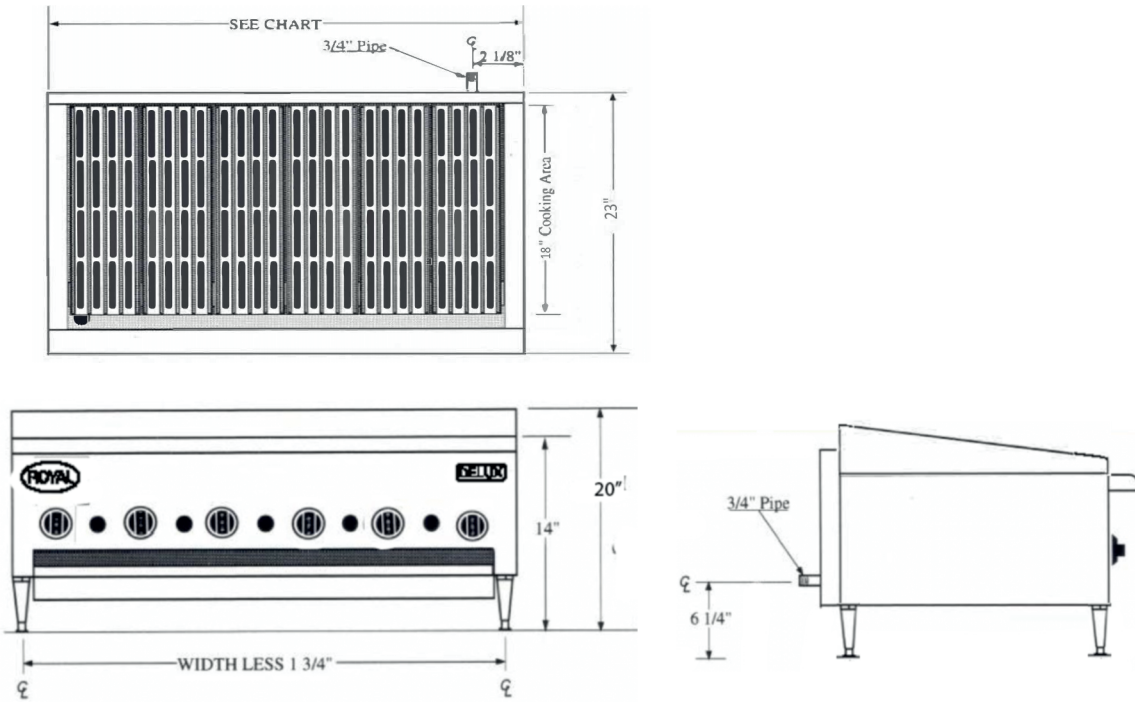
Options and Accessories

- Fish grate
- Diamond grate
- Stainless steel splash guard tapered to front
- Stainless Steel Equipment Stand
 - Knock Down All Welded
- Size
 - 24" 36" 48" 60" 72"
 - 5" swivel casters (set of four - 2 locking)
 - 5" swivel casters (set of six - 3 locking) (60" and 72" stands)



LIMITED WARRANTY, TWO YEAR PARTS AND ONE YEAR LABOR

Infrared Radiant Broiler



Model Number	Width (A)	Broiling Grid	Burners	Total BTU	Ship Weight
TB-315	14 1/2"	18" x 11"	2	22,000	144 lbs.
TB-321	21"	18" x 18"	3	33,000	212 lbs.
TB-325	25"	18" x 22"	4	44,000	296 lbs.
TB-330	30 1/4"	18" x 27"	5	55,000	369 lbs.
TB-336	35 3/4"	18" x 33"	6	66,000	460 lbs.

Notes:

- Each burner is rated at 14,500 BTU/hr

Gas Connection:

3/4" NPT on the right hand rear of the appliance.

The pressure regulator (supplied) is to be connected by the installer.

Specify type of gas and altitude, if over 2,000 feet, when ordering.

Gas Pressure:

5" W.C.	Natural Gas
10" W.C.	Propane

Clearances:

	Combustible	Non-Combustible
Rear	8"	0"
Sides	12"	0"

Due to continuing product development to ensure best possible performance, these specifications are subject to change without prior notification.

Royal Range of California
 3245 Corridor Dr. • Eastvale, CA 91752 • (800) 769-2414 • (951) 360-1600
 Fax: (951) 360-7500 • www.royalranges.com • sales@royalranges.com