



Item: _____

Quantity: _____

Project: _____

Heavy Duty Char Rock Broiler

Delux Series

Models: 1223 2123 3223 4223 5223 6223 7223



3223

Gas Type: Natural LP

Elevation (if above 2000 ft.): _____

Standard Features

- Fully welded frame with lifetime warranty
- 1,200°F mineral wool insulation
- Easily removable and replaceable independent firebox assembly
- Full width, removable stainless steel crumb pan for easy cleaning
- Long lasting, specially selected Volcanic "Char Rock" reduces flare ups
- Stainless steel sides and front valve cover
- Double wall panels for cooler sides
- All welded 14 gauge fire box supports char rock grates
- "H" type cast iron burner rated at 30,000 BTU/hr each
- Individually adjustable burners with manual controls
- Heavy duty cast iron bottom grates

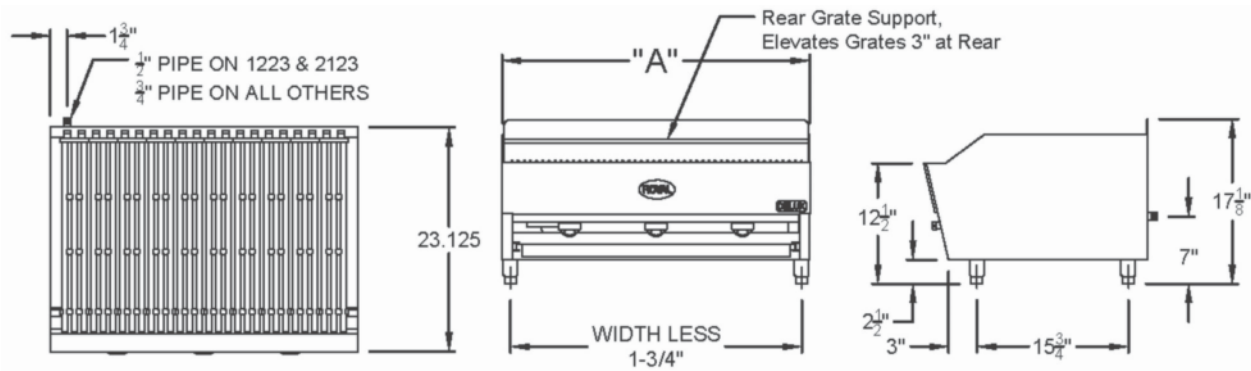
Options and Accessories

- 3/8" round steel rod grate, non-adjustable height (fish, chicken, steak & veg.)
 - 3/8" round stainless steel rod grate, non-adjustable height (fish, chicken, steak & veg.)
 - 3/8" square steel rod grate, non-adjustable height (all uses)
 - 3/8" square stainless steel rod grate, non-adjustable height (all uses)
 - Cast iron criss cross (diamond) grates, non-adjustable height (all uses)
 - Stainless Steel Equipment Stand
 - Knock Down All Welded
- Size
- 18" 24" 30" 36" 48" 60" 72"
 - 5" swivel casters (set of four - 2 locking)
 - 5" swivel casters (set of six - 3 locking) (60" and 72" stands)



LIMITED WARRANTY, TWO YEAR PARTS AND ONE YEAR LABOR

Heavy Duty Char Rock Broiler



Model Number	Width (A)	Number of Burners	Total BTU	Ship Weight
1223	12"	1	30,000	87 lbs.
2123	21 1/2"	2	60,000	134 lbs.
3223	32"	3	90,000	206 lbs.
4223	42"	4	120,000	274 lbs.
5223	52"	5	150,000	342 lbs.
6223	62"	6	180,000	410 lbs.
7223	72"	7	210000	520 lbs.

Gas Connection:

3/4" NPT on the right hand rear of the appliance.

The pressure regulator (supplied) is to be connected by the installer.

Specify type of gas and altitude, if over 2,000 feet, when ordering.

Gas Pressure:

5" W.C.	Natural Gas
10" W.C.	Propane

Clearances: For installation in non combustible locations only

	Combustible	Non-Combustible
Rear	N/A	0"
Sides	N/A	0"

Due to continuing product development to ensure best possible performance, these specifications are subject to change without prior notification.

Royal Range of California
 3245 Corridor Dr. • Eastvale, CA 91752 • (800) 769-2414 • (951) 360-1600
 Fax: (951) 360-7500 • www.royalranges.com • sales@royalranges.com