



Item: \_\_\_\_\_

Quantity: \_\_\_\_\_

Project: \_\_\_\_\_

## Delux Series

Models:  OR-18-W

Gas Type:  Natural  LP

Elevation (if above 2000 ft.): \_\_\_\_\_



OR-18-W

### Standard Features

- Fully welded chassis
- Compact, heavy gauge chassis for long life
- Stainless steel sides and front valve cover
- 16" stainless steel wok ring welded into a 3/8" black painted steel plate
- 20 non-clogging, brass jet burner tips rated at a combined total of 90,000 BTU/hr
- Stainless steel tubing for pilots
- Knee operating valve handle

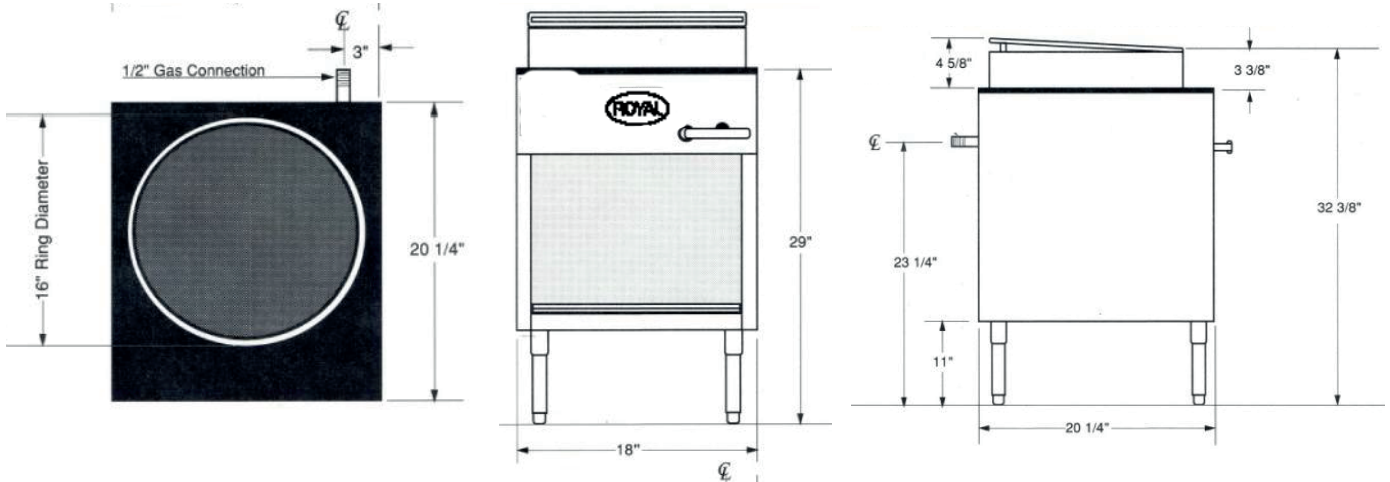
### Options and Accessories

- 14" stainless steel ring
- 5" swivel casters (set of four - 2 locking)



**LIMITED WARRANTY, TWO YEAR PARTS AND ONE YEAR LABOR**

# Wok Range



Model Number	Width	Depth	Height	Burners	Total BTU	Ship Weight
OR-18-W	18"	20 1/4"	30 3/8"	1	90,000	100 lbs.

**Notes:**

**Gas Connection:**

3/4" NPT on the right hand rear of the appliance.

The pressure regulator (supplied) is to be connected by the installer.

Specify type of gas and altitude, if over 2,000 feet, when ordering.

**Gas Pressure:**

5" W.C.	Natural Gas
10" W.C.	Propane

**Clearances:**

	Combustible	Non-Combustible
Rear	17"	4"
Sides	15"	0"

Due to continuing product development to ensure best possible performance, these specifications are subject to change without prior notification.

**Royal Range of California**  
 3245 Corridor Dr. • Eastvale, CA 91752 • (800) 769-2414 • (951) 360-1600  
 Fax: (951) 360-7500 • www.royalranges.com • sales@royalranges.com