



# CTB/CTBR

## Half-Size Electric Convection Oven



### OPTIONS AND ACCESSORIES

(AT ADDITIONAL CHARGE)

- **Legs & casters**
  - 4" (102mm) legs (not for use with stands)
  - 6" (152mm) casters
- **Stands**
  - 5-3/4" (146mm) stainless steel stand
  - 7" (178mm) stainless steel stand
  - 16" (406mm) stainless steel stand
  - 19" (438mm) stainless steel stand with shelf
  - 24" (610mm) stainless steel stand with shelf
  - 33" (838mm) stainless steel stand with shelf
- **Controls**
  - Solid state digital with cook and hold, and Pulse Plus® with digital display
  - SimpleTouch - NEW touchscreen control with ability to store and group recipes. Includes rack timing, Cook&Hold, Fan Delay, Fan Pulse, and HAACP storage capability
- VLH ventless hood
- Vent riser: stainless steel
- Cord set with receptacle
- 7.5 Kw elements
- Extra oven racks
- Oven Liner: Stainless steel

### OPTIONS AND ACCESSORIES

(AT NO ADDITIONAL CHARGE)

- Door Design: Solid stainless steel
- Right hand hinged door

Project \_\_\_\_\_

Item No. \_\_\_\_\_

Quantity \_\_\_\_\_

Standard depth baking compartment - accepts 13" x 18" standard half-size baking pans in front-to-back-position. CTBR model follows same specifications as CTB, only with door opening on the right side and controls on left side. All data is shown per oven section, unless otherwise indicated.

Refer to operator manual specification chart for listed model names.

### EXTERIOR CONSTRUCTION

- Full angle-iron frame
- Stainless steel front, top, sides and back
- Dual pane thermal glass window encased in stainless steel door frame
- Single chrome plated door handle
- Tilt-down modular front control panel
- Solid mineral fiber insulation at top, back, sides and bottom

### INTERIOR CONSTRUCTION

- Double-sided porcelainized baking compartment liner (14 gauge)
- Five chrome-plated racks, nine rack positions with a minimum of 1-5/8" (41mm) spacing

### OPERATION

- Two tubular heaters (5kW)
- Solid state thermostat with temperature control range of 200°F (93°C) to 500°F (260°C)
- Two speed fan motor
- 1/4 horsepower blower motor with automatic thermal overload protection
- One control area cooling fan

### STANDARD FEATURES

- Solid state manual with separate dials to control thermostat and time\*\*
- Three year oven parts and two year labor warranty\*
- Five year limited oven door warranty\*

\* For all international markets, contact your local distributor.

\*\* For control panels other than standard consult your local international distributor for CE approvals.

NOTE: The company reserves the right to make substitutions of components without prior notice

CTB/CTBR

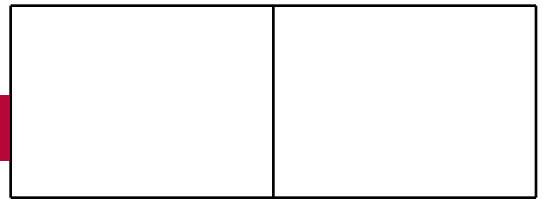


www.blodgett.com

42 Allen Martin Drive, Essex Junction, VT 05452  
Phone: (802) 658-6600 | Fax: (802) 864-0183

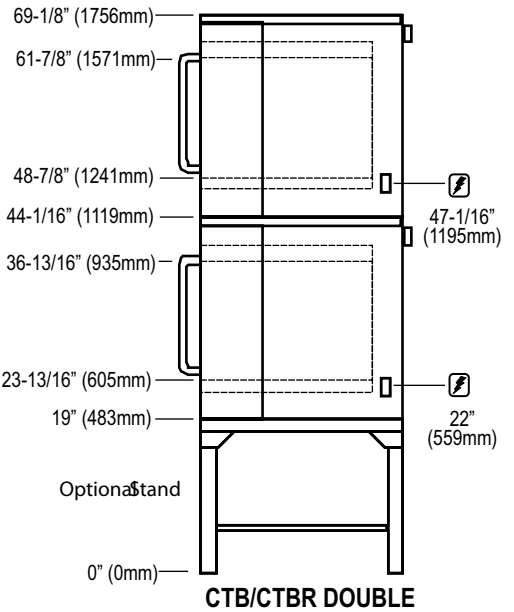
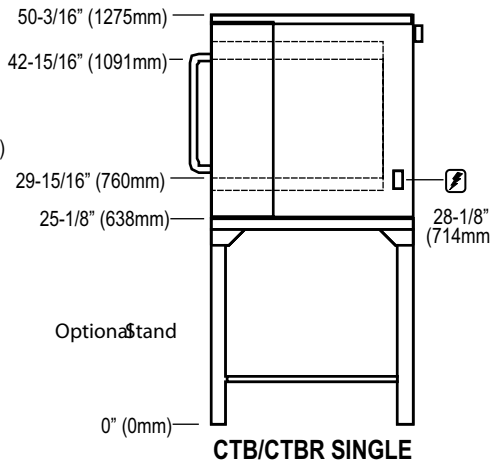
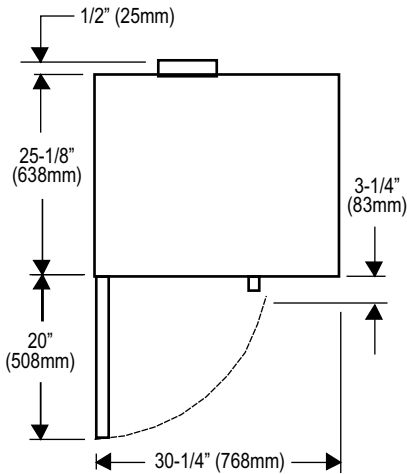


# CTB/CTBR



APPROVAL/STAMP

## TOP VIEW



**SHORT FORM SPECIFICATIONS** Provide Blodgett half-size convection oven model CTB/CTBR (single, double) compartment. Each compartment shall have (porcelainized/stainless) steel liner and shall accept five 13" x 18", standard half-size bake pans. Doors shall be (dual pane thermal glass/window/solid stainless steel door) with single chrome plated door handle. Stainless steel front, top, sides and legs. Unit shall be electrically heated with two or three tubular heaters dependent on wattage (5 or 7.5 kW) selection. Air in baking chamber distributed by blower wheel powered by two-speed, 1/4 horsepower motor with thermal overload protection. Each chamber shall be fitted with five chrome plated removable racks, and have nine rack positions. Control panel shall be recessed with Cook/Cool Down mode selector, solid state (manual/digital) infinite thermostat (200°-500°F), and 60-minute timer. Provide options and accessories as indicated.

## DIMENSIONS

**Floor space** 30-1/4" (768mm) W x 25-1/8" (638mm) D  
**Interior** 15-1/4" (387mm) W x 20" (508mm) H x 21" (533mm) D

## PRODUCT CLEARANCE

**From combustible and non-combustible construction**

0" (0mm)

## MINIMUM ENTRY CLEARANCE

**Uncrated** 25-1/16" (636mm)  
**Crated** 30-1/4" (775mm)

## MAXIMUM INPUT

5.6kW per oven section (8.0 kW increase option available)

## SHIPPING INFORMATION

### Approx. Weight

Single 295 lbs. (134 kg)  
 Double 595 lbs. (270 kg)

### Crate Size

36" (914mm) L x 32" (813mm) W x 35" (889mm) H (2 crates required for double)

## POWER SUPPLY

VAC	Hz	Phase	kW	Amps (L1-L2-L3)
STANDARD				
208	60	1	5.6	27/0/27
208	60	3	5.6	24/12/15
220/240	60	1	5.6	24/0/24
220/240	60	3	5.6	21/11/14
INCREASED OUTPUT				
208	60	1	8	35/0/35
208	60	3	8	22/20/21
220/240	60	1	8	32/0/32
220/240	60	3	8	20/18/19

VAC	Hz	Phase	kW	Amps (L1-L2-L3-N)
EXPORT				
240/415	50	3 WYE	5.6	11/0/9/3
240/415	50	3 WYE	8	13/11/11/2
230/400	50	3 WYE	5.6	11/0/10/1
230/400	50	3 WYE	8	13/11/11/2

1/4 H.P., 2 speed motor, 1140 and 1725 RPM (60Hz.)

1/4 H.P., 2 speed motor, 1425 and 950 (50Hz.)