

Project: _____
 Model #: _____
 Item #: _____ Qty: _____
 Approval: _____

460 Southport Commerce Blvd.
 Spartanburg SC 29306
 Phone: 864-574-6004
 Toll Free: 1-888-532-2816
 sales@ojedausainc.com
 service@ojedausainc.com
 www.ojedausa.com



GLASS DOOR MERCHANDISER RMH-33PT



**Custom Graphics
 Available Upon Request**

PASS-THRU DESIGN

Provides both front and rear access, adding flexibility to its placement in the store.

CARE FREE CONDENSER

The finless spiral condenser design prevents dust/dirt buildup allowing maximum long term efficiency.

R-290 REFRIGERANT

Equipped with R-290 refrigerant, an eco-friendly alternative that meets the EPA's environmental impact regulations.

STEEL CONSTRUCTION

Robust steel construction minimalizes the use of plastic materials resulting in an environmentally friendly design.

ELECTRONIC CONTROL

The intelligent temperature control is programmed to ensure the correct operation of the equipment.

LED LIGHTING

LED provides long lasting energy efficient lighting with minimal heat output.

HOT GAS EVAPORATION

Hot gas heated drain pan for condensate evaporation that reduces the need of floor drains or electric heaters.

OPERATION TEMPERATURE

Medium Temp: 34°F to 40°F.

Dimensions			Shelves	HP	Voltage	NEMA Config	Amps	Crated Weight	Refrigerant
W	D	H							
39.6"	27.2"	56.5"	3	1/6	120	5-20P	3.5	345 lbs	R-290
1006 mm	691 mm	1435 mm	Net Capacity (cf): 14		Energy Consumption: 2.09 kWh/24 h				

*Inches rounded up one decimal place. *Specifics may change without notification.

GLASS DOOR MERCHANDISER

RMH-33PT

CABINET CONSTRUCTION

- High-density, CFC-Free, polyurethane insulation.
- Exterior: galvanized metal cabinet with black powder coated painted surface.
- Interior: White easy to clean pre-painted steel.
- Built with a pass thru design.

DOOR

- Two (2) double pane sliding doors assembly.
- Self closing door.

SHELVING

- 3 adjustable, white powder-coated wired shelves.
- Dimensions per shelf: 32.3" W X 18.9" D.

OPERATING CONDITIONS

- The unit is best suited for an environment where temperatures remain below 75 °F and humidity does not exceed 55%.
- Areas with direct sunlight should also be avoided.

ELECTRICAL

- 110/120 standard volt system.



LIGHTING

- LED interior lighting.

REFRIGERATION

- R-290 refrigerant.
- Maintenance free condenser.
- Hot gas heated condensation pan.
- Electronic temperature control.
- Automatic defrost cycle.
- Easy to reach components for maintenance.

ACCESSORIES

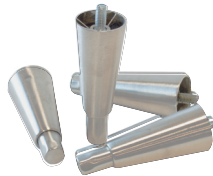
- 6" stainless steel legs.
- 3" or 5" casters.
- Bottle organizer.
- Custom Graphics.

OPTIONAL ACCESSORIES

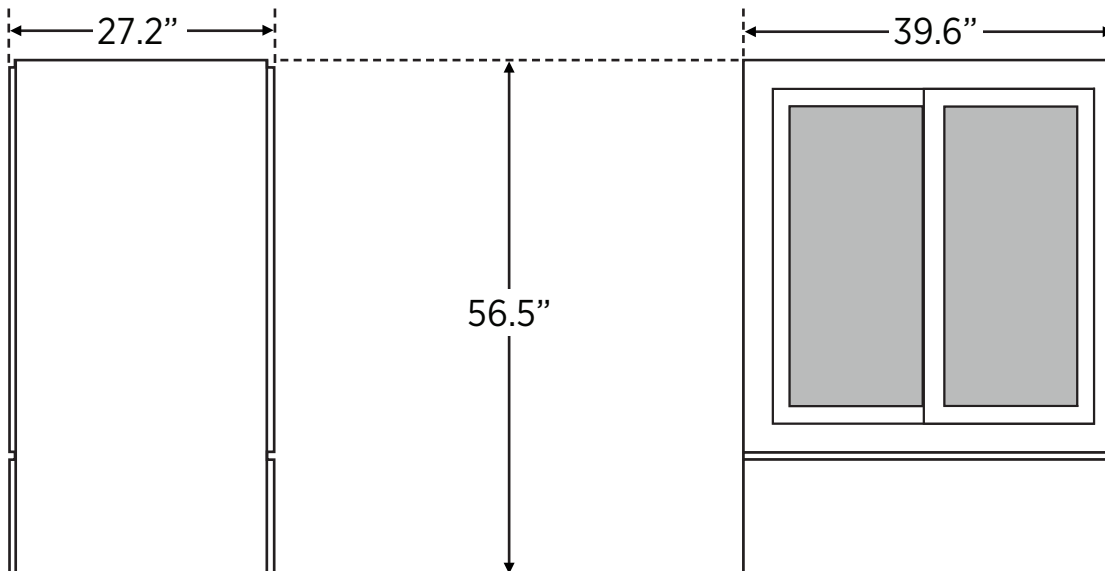
3"/5" CASTERS



6" ADJUSTABLE LEGS



DIMENSIONAL DRAWING



*INCHES ROUNDED UP ONE DECIMAL PLACE *SPECIFICS MAY CHANGE WITHOUT NOTIFICATION



www.ojedausa.com